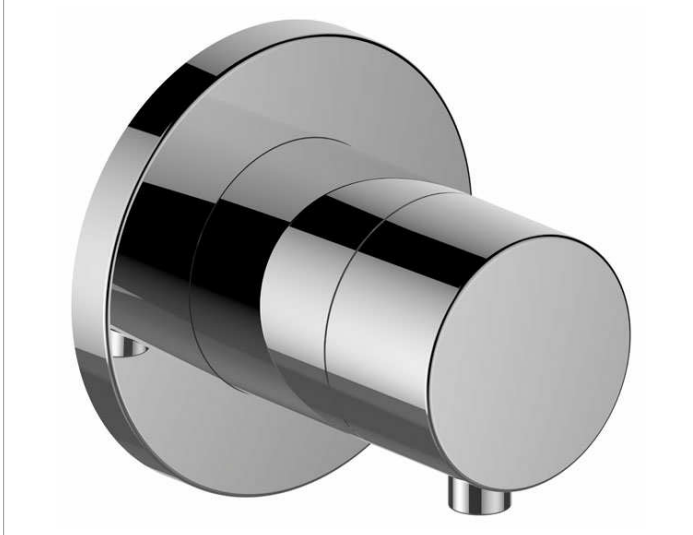
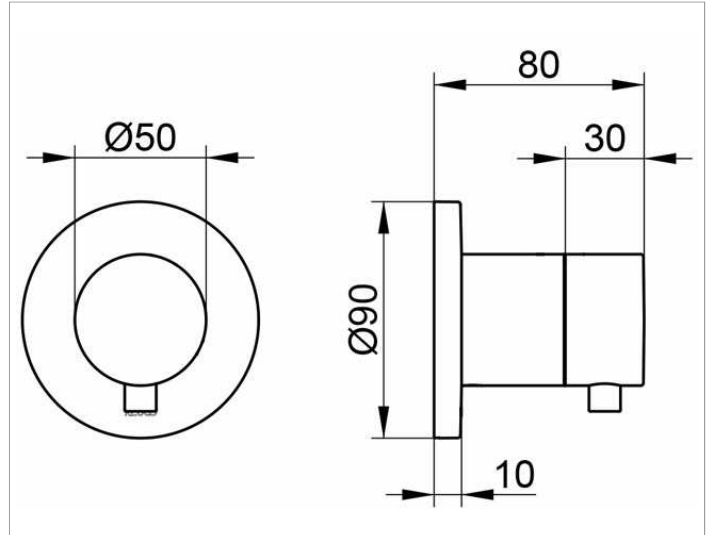


IXMO
59541YY1001 Stop valve DN 15

PRODUCT



DRAWING



PRODUCT ATTRIBUTES

Set complete with:
handle, casing, rosette (round) and stop cock
suitable for rough part no. 59541 000070

SURFACE

03, 05, 13