

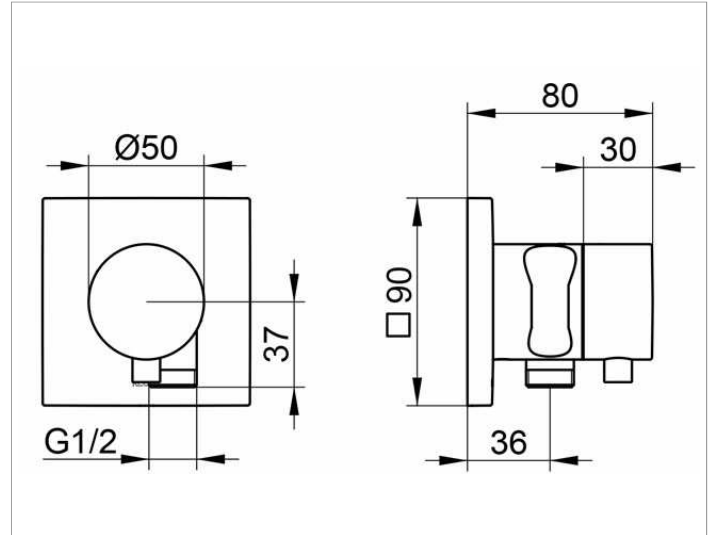
IXMO

59541XX1202 Stop valve with wall outlet for shower hose and hand shower bracket DN 15

PRODUCT



DRAWING



PRODUCT ATTRIBUTES

Set complete with:
 handle, casing, rosette (square) and stop cock,
 intrinsically safe against backflow,
 suitable for stop cock no. 59541 000170

SURFACE

02, 04, 12

DIMENSION

IXMO Comfort/Rosette eckig