

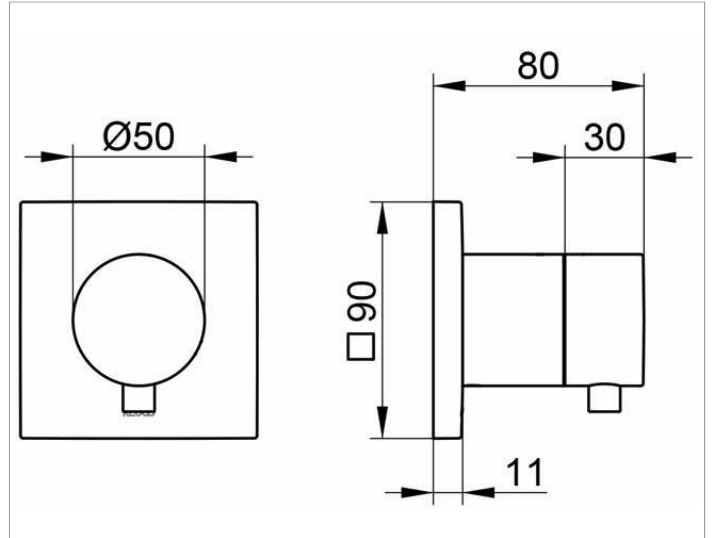
**IXMO**

59541XX1002 Stop valve DN 15

**PRODUCT**



**DRAWING**



**PRODUCT ATTRIBUTES**

Set complete with:  
 handle, casing, rosette (square) and stop cock  
 suitable for rough part no. 59541 000070

**SURFACE**

02, 04, 12