

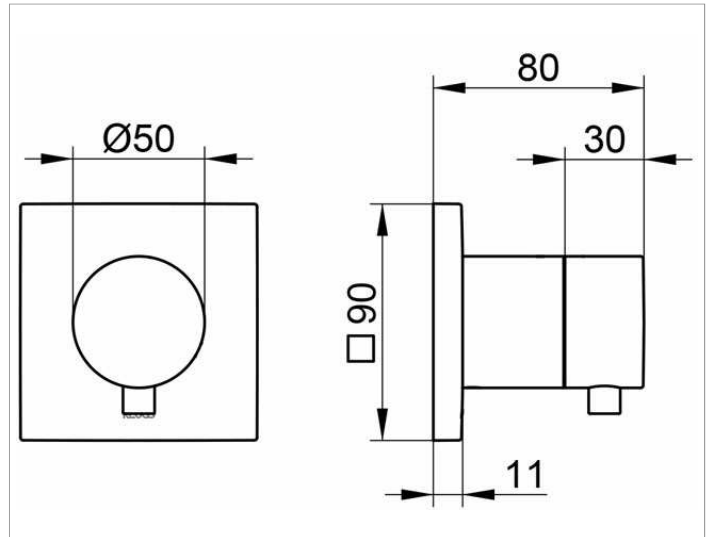
IXMO

59541011002 Stop valve DN 15

PRODUCT



DRAWING



PRODUCT ATTRIBUTES

Set complete with:
handle, casing, rosette (square) and stop cock
suitable for rough part no. 59541 000070

SURFACE

chrome-plated

SPECIFICATIONS

KEUCO IXMO stop valve DN15, 59541011002
chrome-plated stop valve, IXMO Comfort lever
with square rosette, freely positionable,
installation depth 80 - 110 mm,
with adjustment facilities whilst assembling,
for handle and rosette,
rosette 90 x 90 mm, 10 mm thick,
total depth 80 mm,
suitable for rough part no. 59541000070