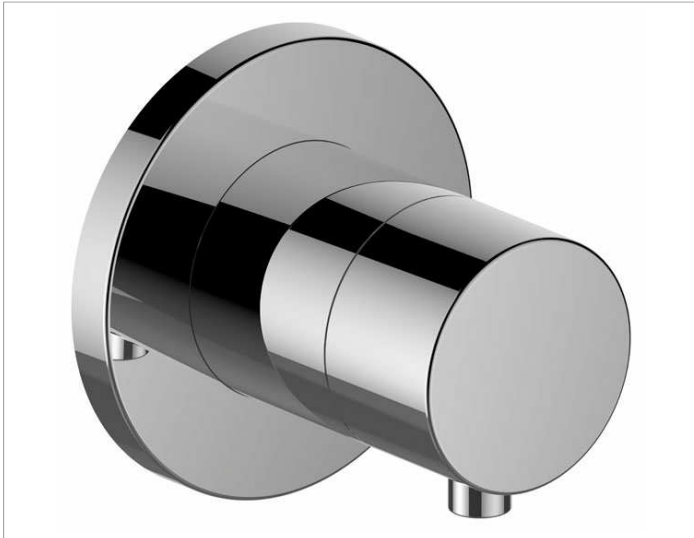
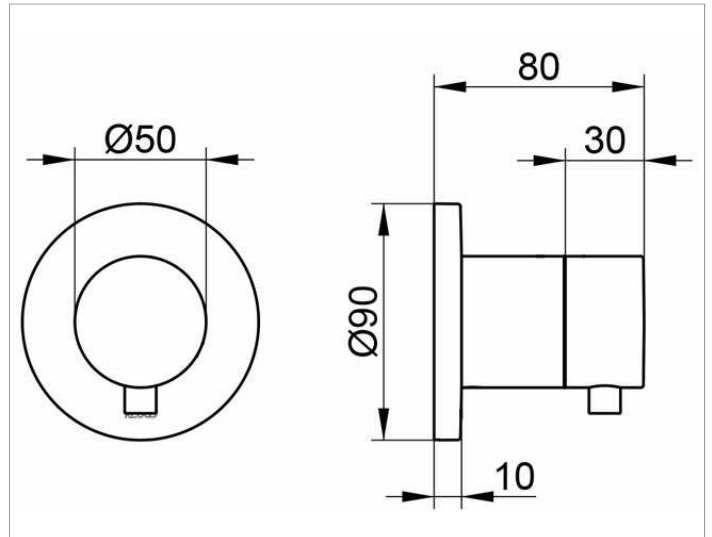


**IXMO**  
**59541011001 Stop valve DN 15**

**PRODUCT**



**DRAWING**



**PRODUCT ATTRIBUTES**

Set complete with:  
 handle, casing, rosette (round) and stop cock  
 suitable for rough part no. 59541 000070

**SURFACE**

chrome-plated

**SPECIFICATIONS**

KEUCO IXMO stop valve DN15, 59541011001  
 chrome-plated stop valve, IXMO Comfort lever  
 with round rosette, freely positionable,  
 installation depth 80 - 110 mm,  
 with adjustment facilities whilst assembling,  
 for handle and rosette,  
 rosette diameter 90 mm, 10 mm thick,  
 total depth 80 mm,  
 suitable for rough part no. 59541000070