

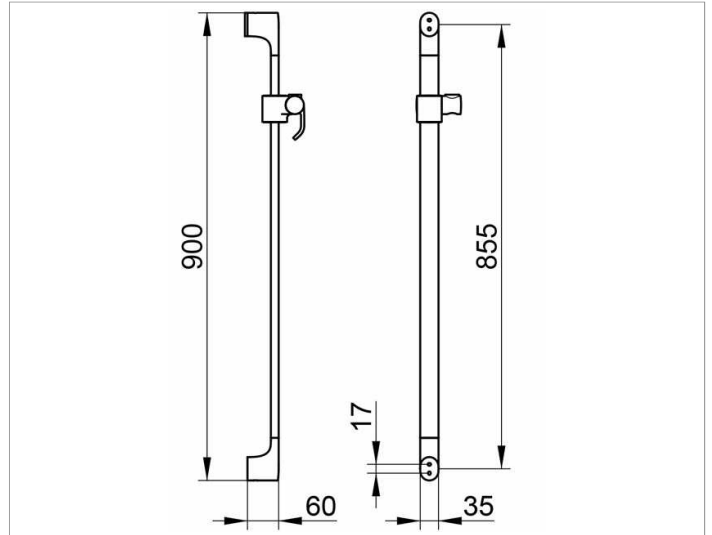
Edition 400

51585XX0900 Hand shower sliding rail

PRODUCT



DRAWING



PRODUCT ATTRIBUTES

consisting of:
- rail and hand-shower bracket
height adjustable with handle,
with adjustable tilt angle
- spacer disc (5 mm)

SURFACE

02, 04, 12

DIMENSION

900 mm