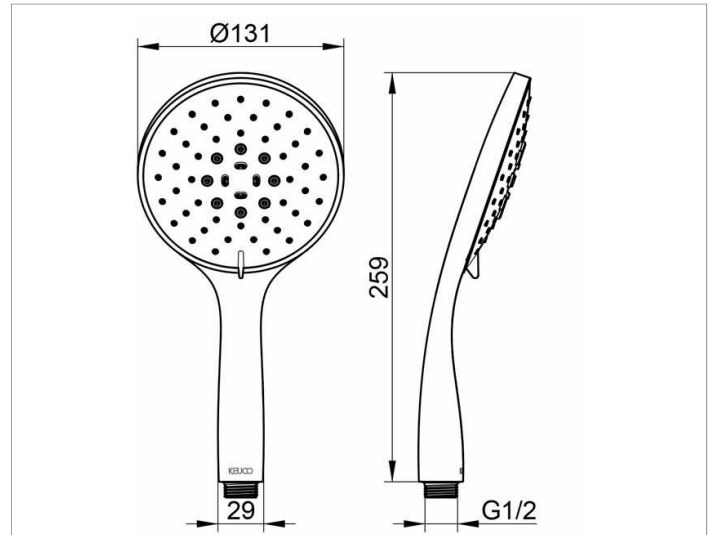


Edition 400
51580170300 Hand shower

PRODUCT



DRAWING



PRODUCT ATTRIBUTES

with anti limescale device
triple spray function: normal, soft, massage
with ECO AIR function
flow rate 10 l/min.
also suitable for combination boilers

SURFACE

aluminium finish