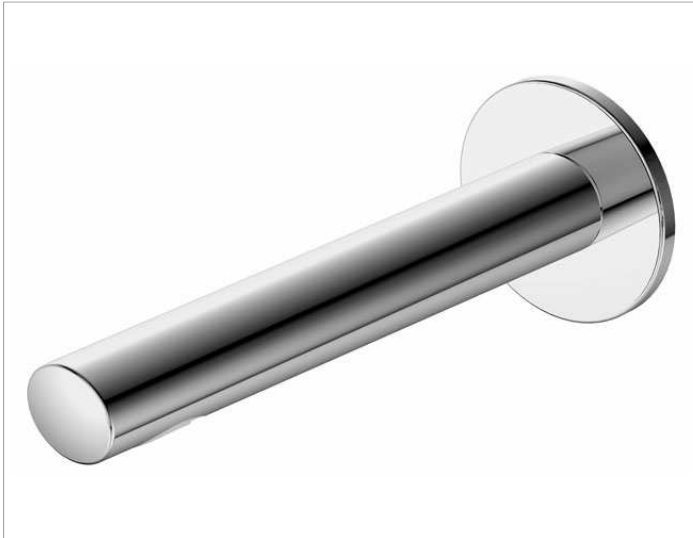


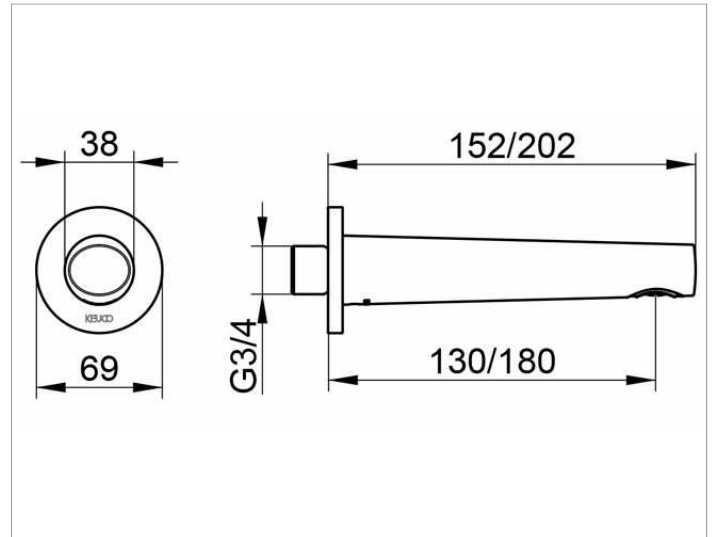
Edition 400

51545XX0001 Bath filler/spout DN 20

**PRODUCT**



**DRAWING**



**PRODUCT ATTRIBUTES**

suitable for all concealed fittings

**SURFACE**

02, 04, 12

**DIMENSION**

Ausladung 202 mm