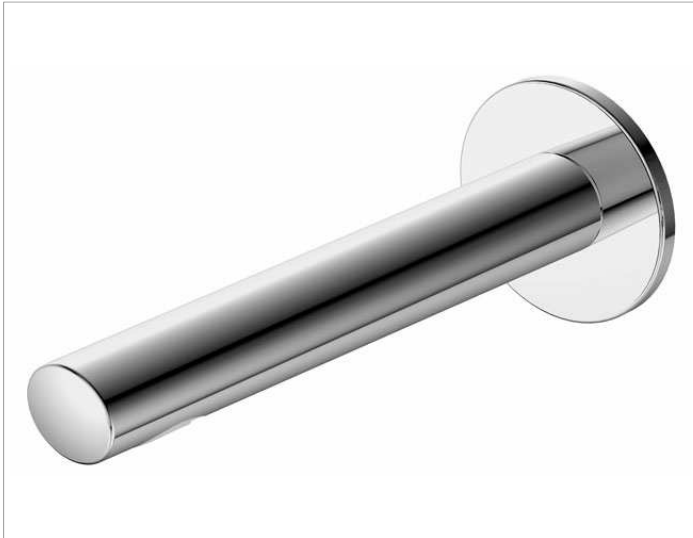


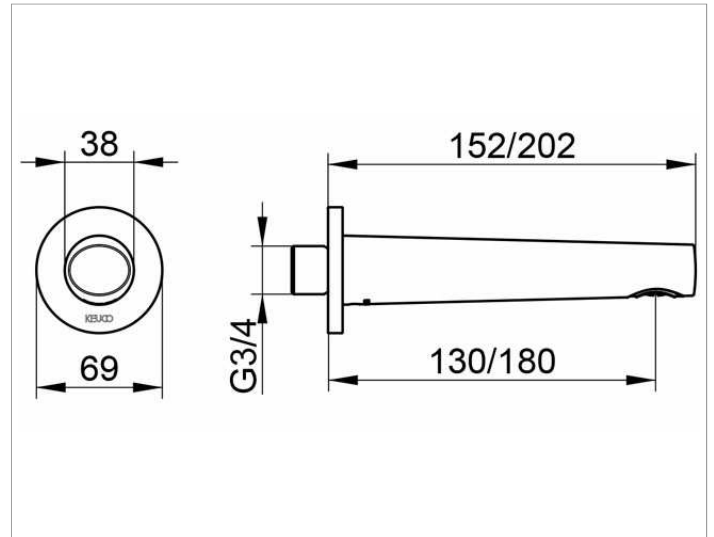
Edition 400

51545XX0000 Bath filler/spout DN 20

PRODUCT



DRAWING



PRODUCT ATTRIBUTES

suitable for all concealed fittings

SURFACE

02, 04, 12

DIMENSION

Ausladung 152 mm