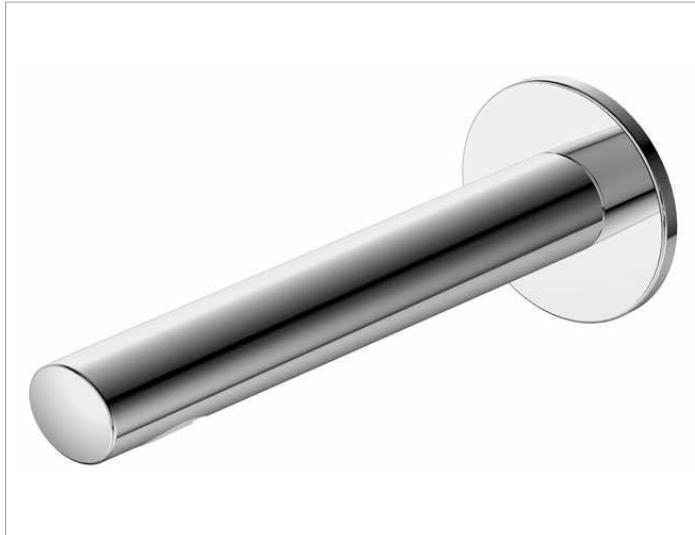


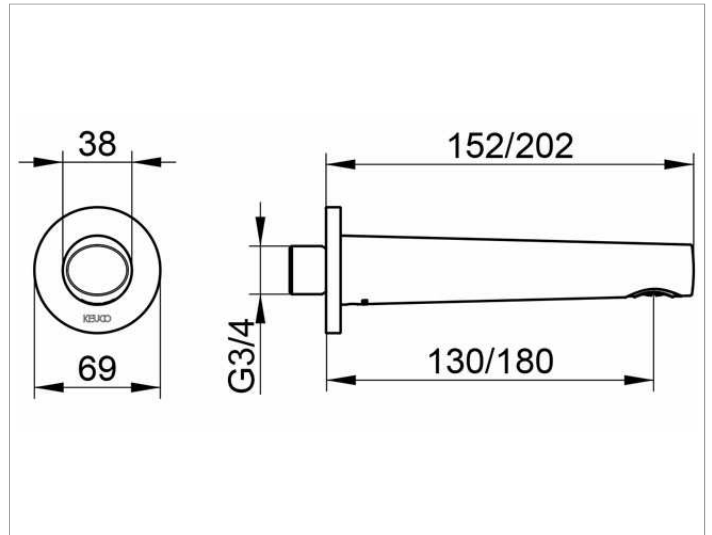
Edition 400

51545010001 Bath filler/spout DN 20

PRODUCT



DRAWING



PRODUCT ATTRIBUTES

with aerator M 24x1

SURFACE

chrome-plated

DIMENSION

Ausladung 202 mm

SPECIFICATIONS

KEUCO Edition 400 bath filler DN20, 51545010001
 chrome-plated bath filler, DN20,
 sculptural design,
 suitable for all concealed fittings,
 round rosette, diameter 69 mm,
 total depth 202 mm,
 water flow at 180 mm,
 water connection G 3/4 inch