

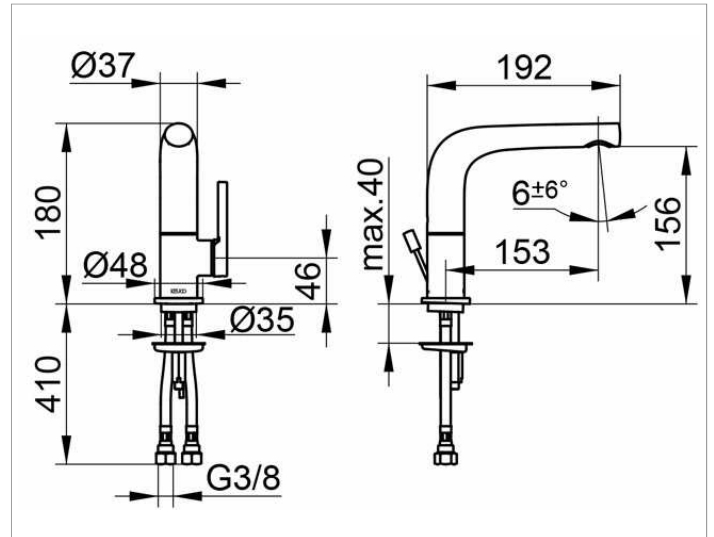
Edition 400

51505YY0100 Single lever basin mixer 150

**PRODUCT**



**DRAWING**



**PRODUCT ATTRIBUTES**

without pop-up waste,  
 spout swivelling +/- 45°,  
 single hole installation,  
 cartridge with ceramic discs,  
 aerator SLIM SSR M 24x1, adjustable,  
 pressure hoses 435 mm, G 3/8 inch  
 flow rate reduced to 7,6 l/min.

**SURFACE**

03, 05, 13

**DIMENSION**

schwenkbar