

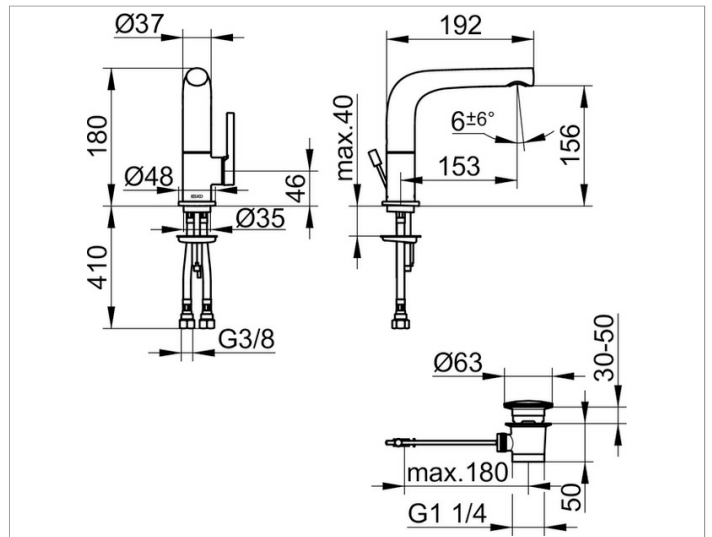
Edition 400

51505YY0000 Single lever basin mixer 150

PRODUCT



DRAWING



PRODUCT ATTRIBUTES

with pop-up waste 1 1/4 inch,
 spout swivelling +/- 45°,
 single hole installation,
 cartridge with ceramic discs,
 aerator SLIM SSR M 24x1, adjustable,
 pressure hoses 435 mm, G 3/8 inch
 flow rate reduced to 7,6 l/min.

SURFACE

03, 05, 13

DIMENSION

schwenkbar