

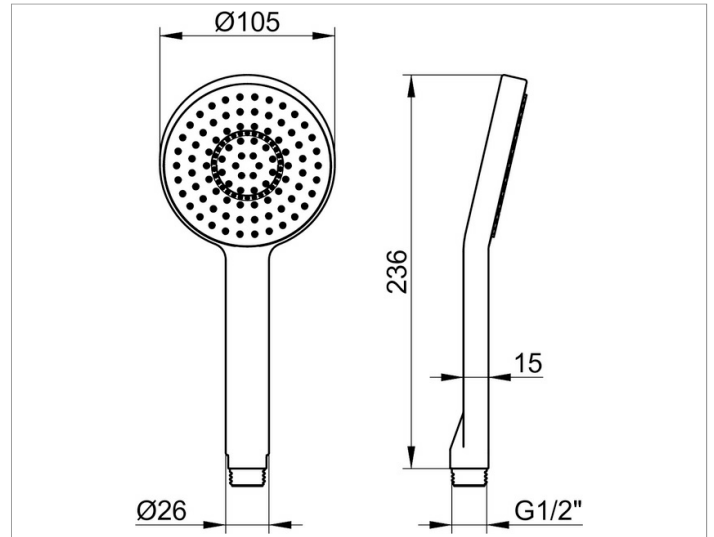
Edition 11

51180XX0300 Hand shower

**PRODUCT**



**DRAWING**



**PRODUCT ATTRIBUTES**

with anti limescale device  
with normal jet  
flow rate 12 l/min.  
for combination boilers

**SURFACE**

02, 04, 12