

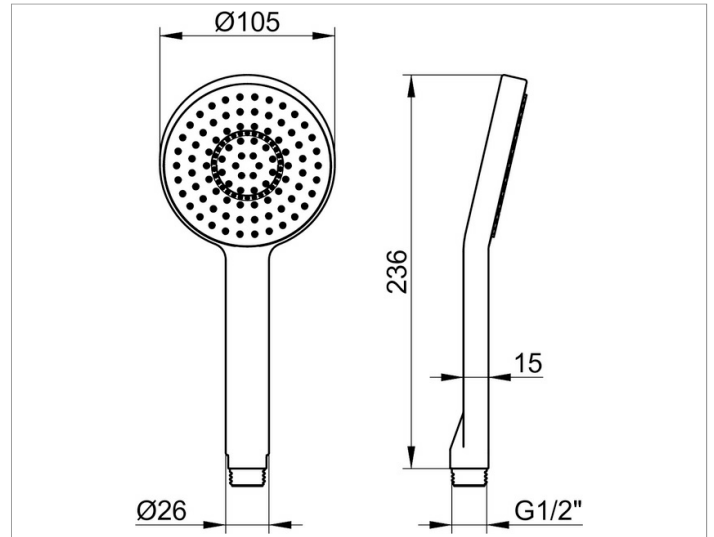
Edition 11

51180170300 Hand shower

PRODUCT



DRAWING



PRODUCT ATTRIBUTES

with anti limescale device
with normal jet
flow rate 12 l/min.
for combination boilers

SURFACE

aluminium finish