

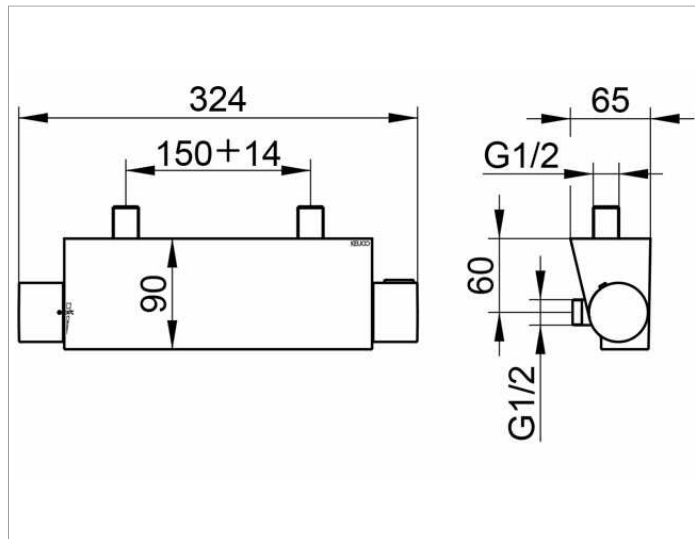
Edition 11

51126010100 Thermostatic mixer for shower DN 15

**PRODUCT**



**DRAWING**



**PRODUCT ATTRIBUTES**

exposed, handle with 50% water consumption regulation,  
 safety cut-off at 38°,  
 depth gauge 150 +/- 14 mm,  
 shower outlet connection DN15,  
 (restricted flow rate for handshower 15 l/min),  
 intrinsically safe against backflow  
 for combination boilers

**SURFACE**

chrome-plated

**SPECIFICATIONS**

KEUCO EDITION 11 thermostat mixer DN 15 for shower 51126010100  
 in clear-cut design and geometric shapes,  
 for surface mounting, safety stop at 38 degrees Celsius,  
 Handle with 50% volume limitation, self-protection against backflow  
 Hose connection DN 15,  
 suitable for water heaters,  
 Width 324 mm, overhang 90 mm  
 Gauge 150 mm, tolerance class + / - 14 mm