

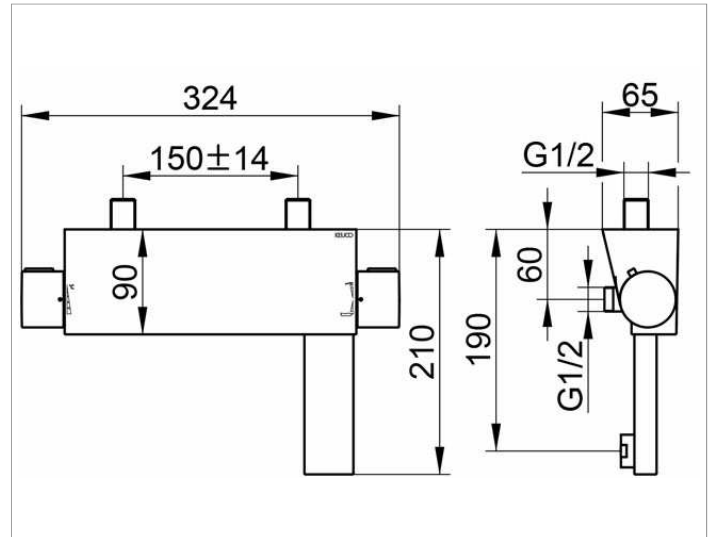
Edition 11

51120YY0100 Bath tub mixer DN 15

PRODUCT



DRAWING



PRODUCT ATTRIBUTES

exposed
 ceramic stop valve and diverter,
 cartridge mixer with ceramic sealing gaskets,
 shower outlet connection DN15
 (restricted flow rate for handshower 15 l/min),
 with backflow preventer,
 gauge 150 +/- 14 mm,
 suitable for combination boilers,
 aerator M 28x1,
 flow rate approx. 20 l/min.

SURFACE

03, 05, 13