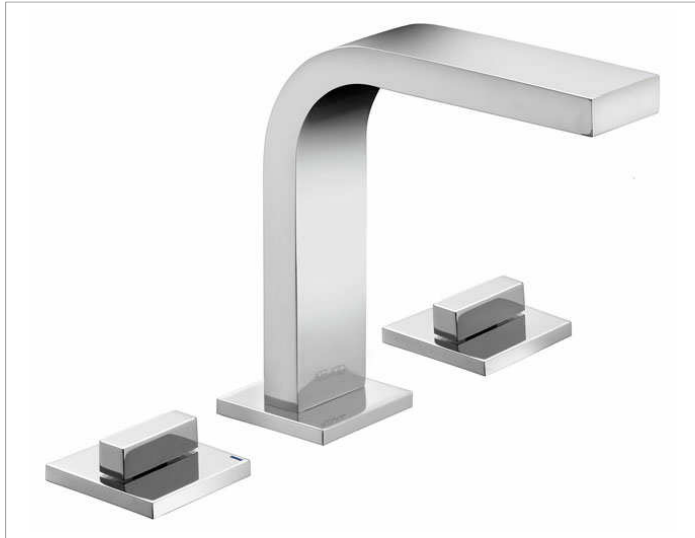


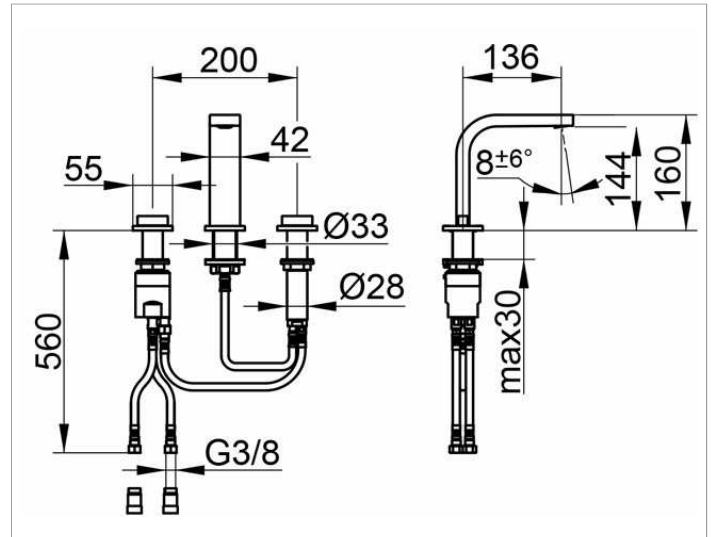
Edition 11

51115XX0100 Three-hole basin mixer 150

**PRODUCT**



**DRAWING**



**PRODUCT ATTRIBUTES**

without pop-up waste  
 3-hole installation, ceramic valves  
 for temperature and volume control,  
 aerator SLIM AIR M24x1, adjustable,  
 pressure hoses 3/8 inch-compression  
 flow rate 1.2 gpm

**SURFACE**

02, 04, 12