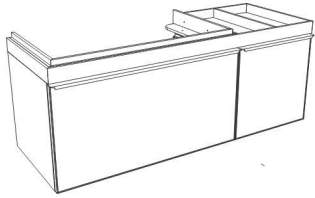




# Installation Manual

Montageanleitung  
Instructions de montage  
Istruzioni per il montaggio

**KNOW  
HOW**  
INSTALLED



Ø 10 x 60



x 4

Ø 8 x 60



x 4

Ø 5 x 50

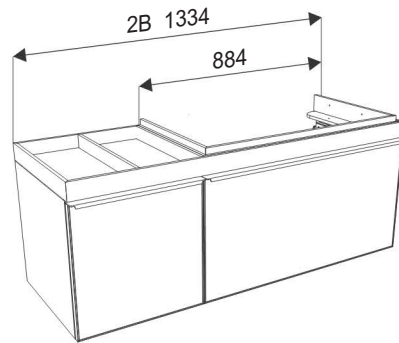
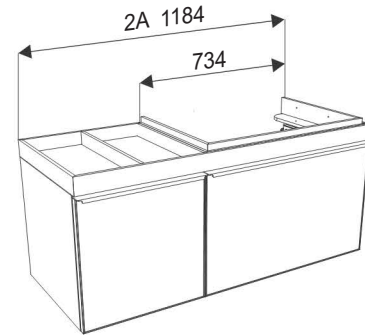
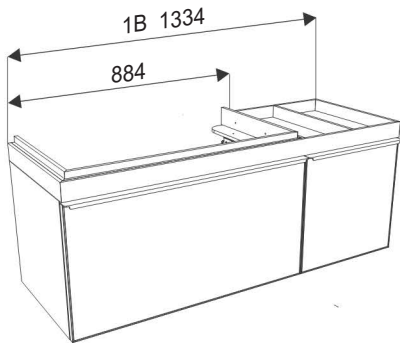
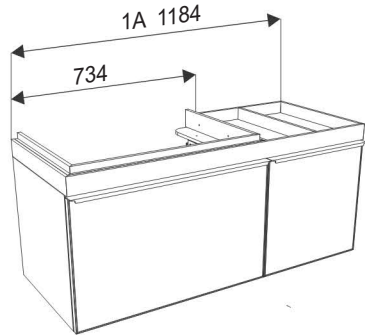


x 4

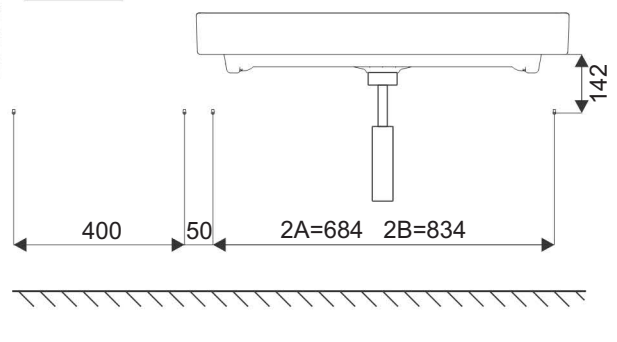
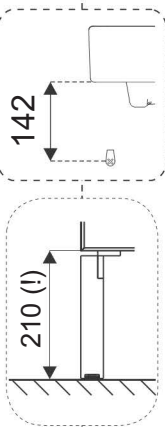
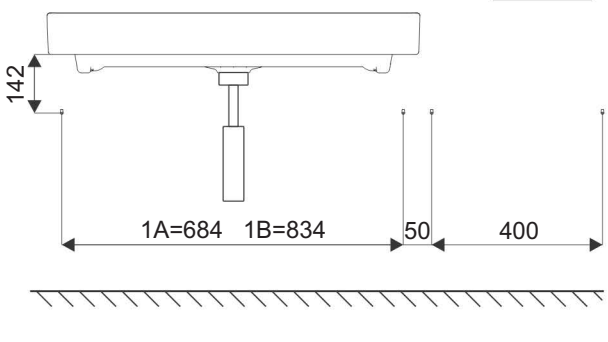


x 4

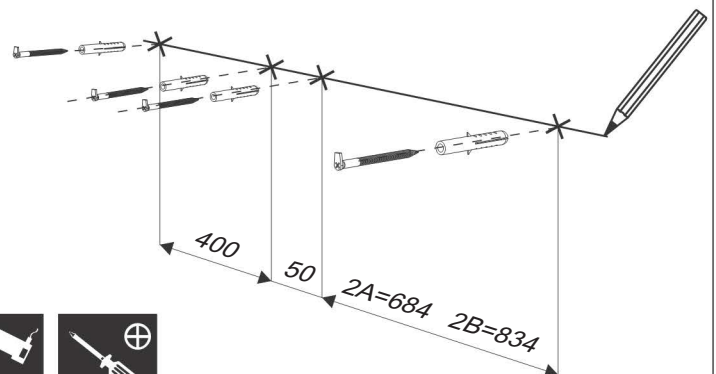
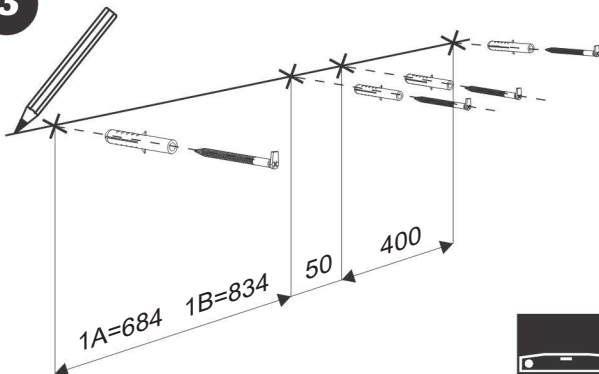
1

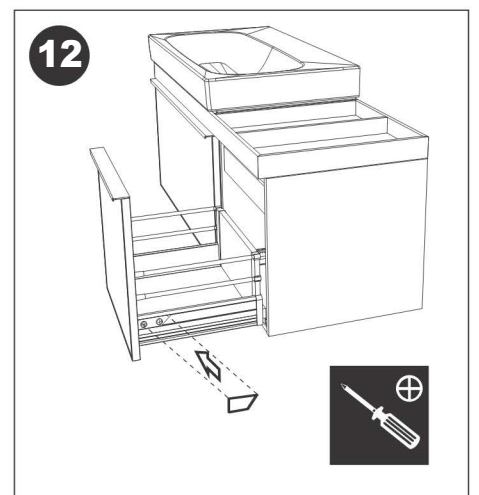
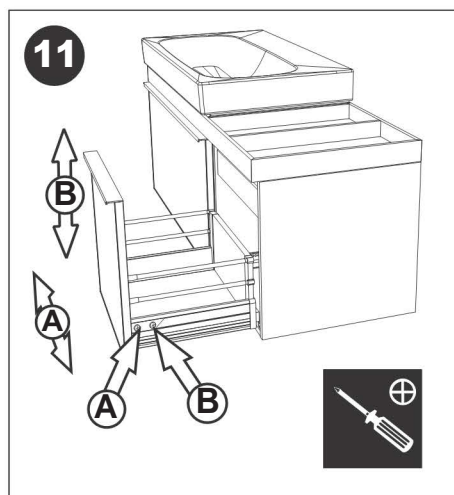
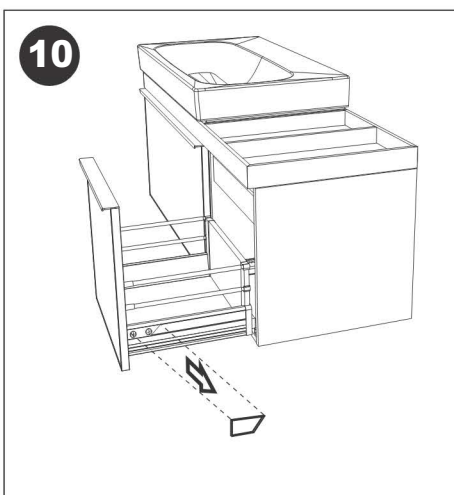
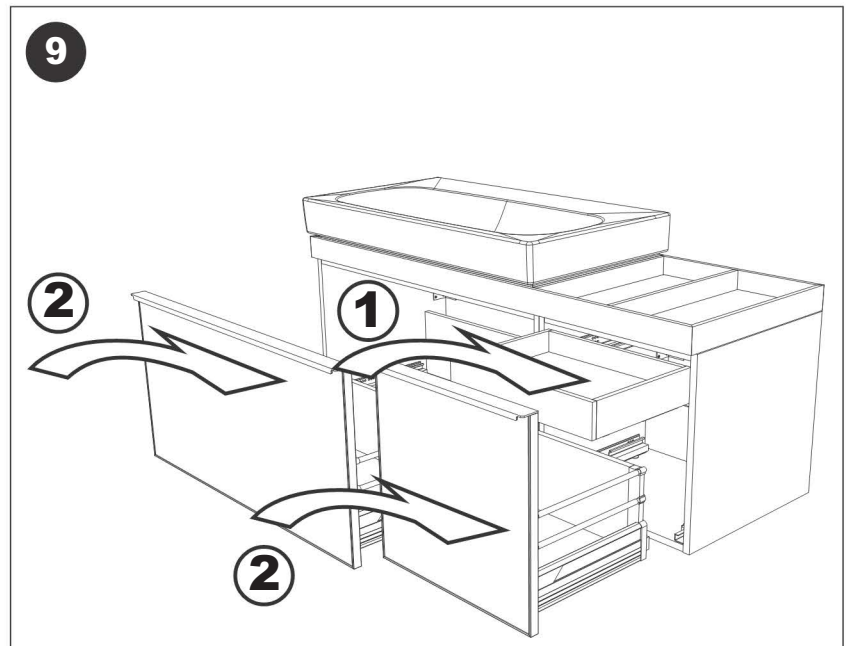
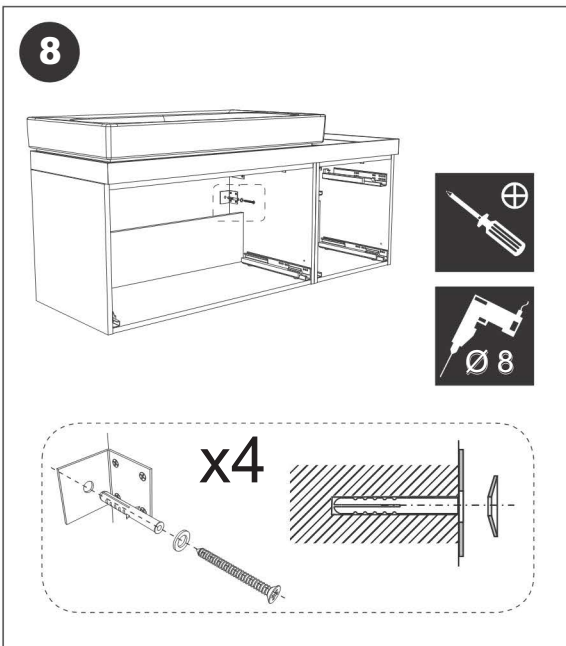
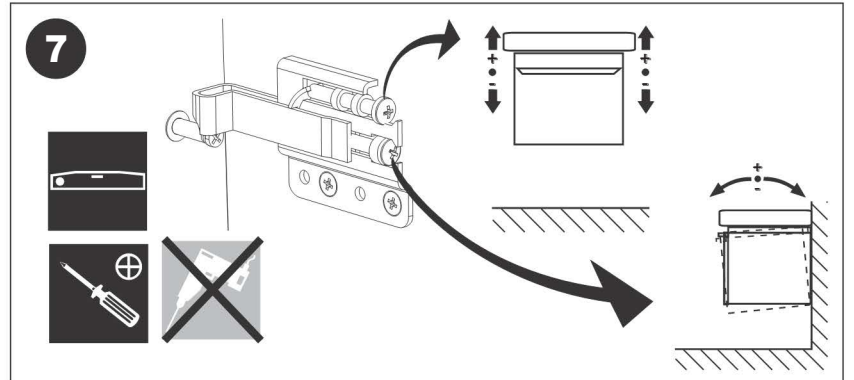
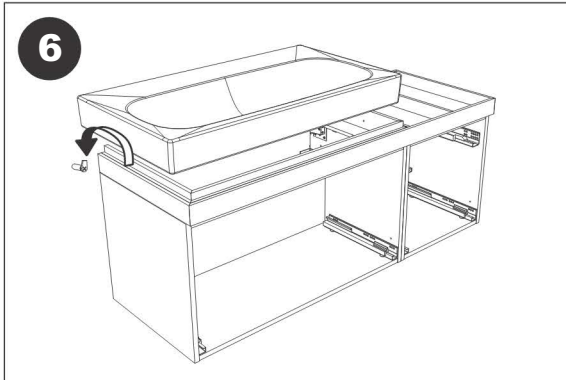
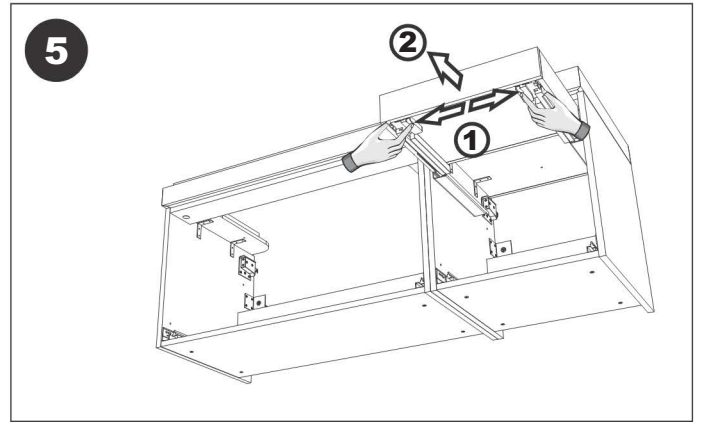
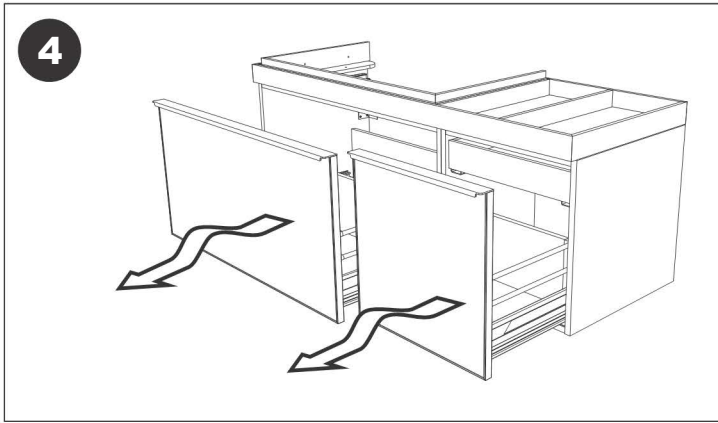


2



3





---

**Geberit International AG**  
**Schachenstrasse 77, CH-8645 Jona**  
**documentation@geberit.com**  
→ **www.geberit.com**

