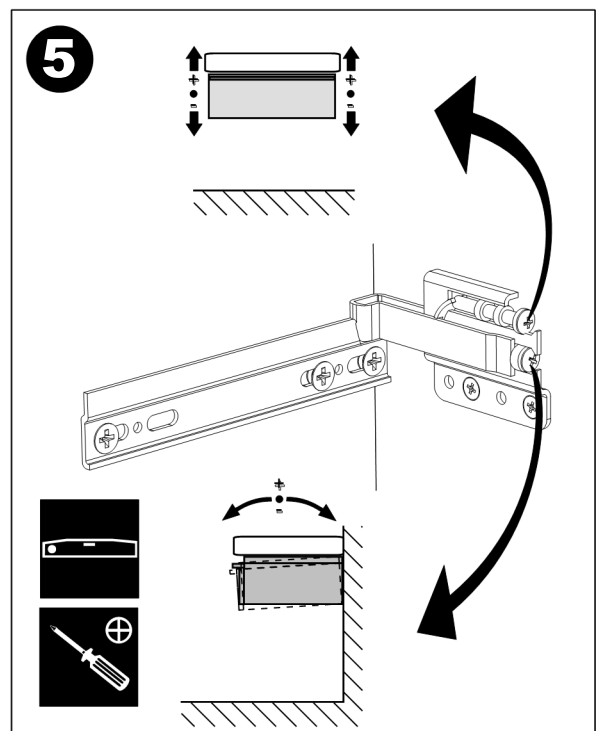
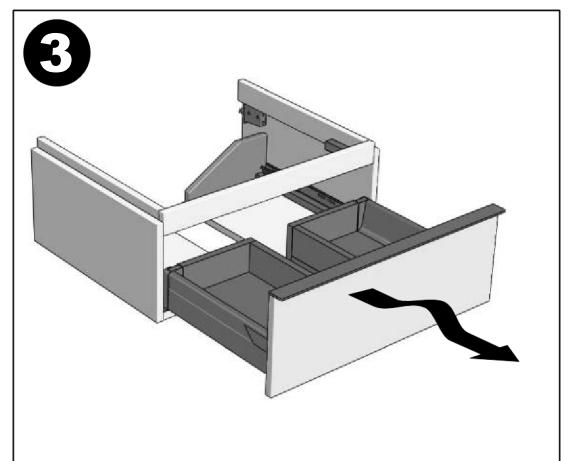
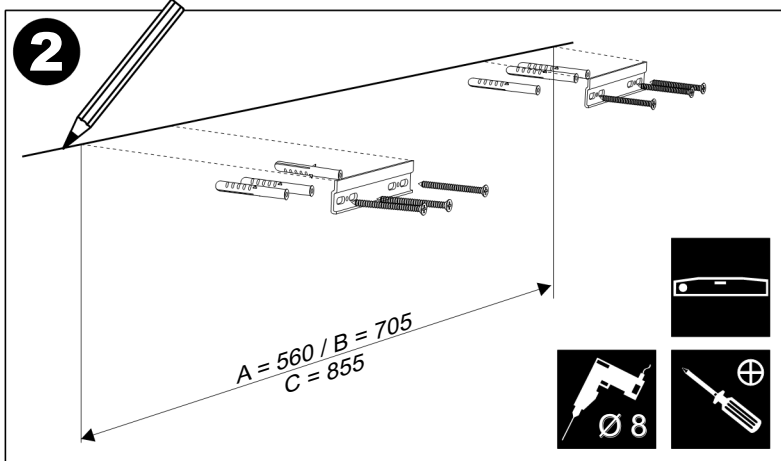
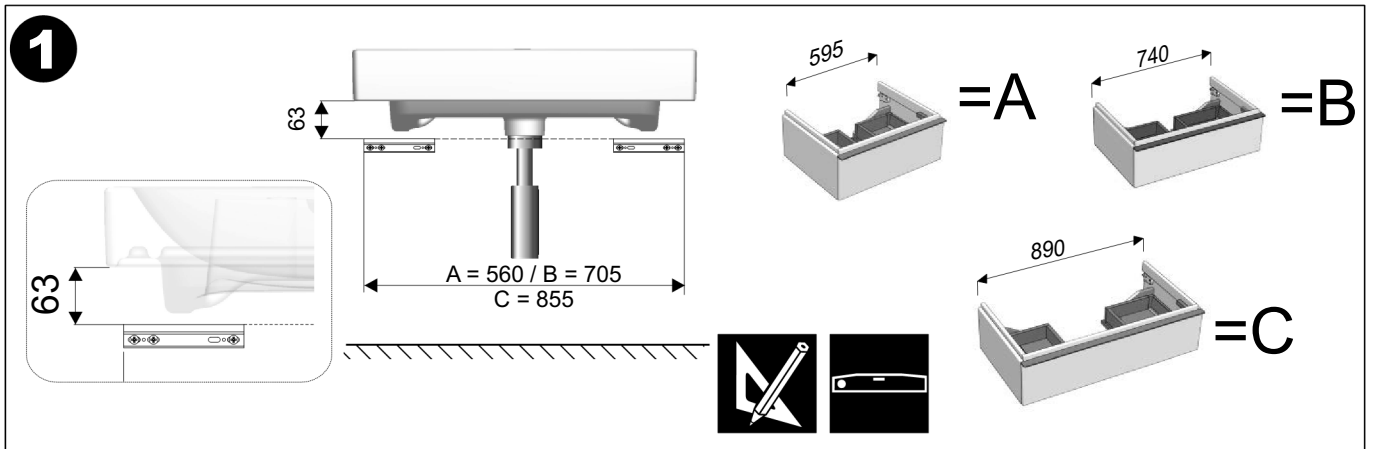
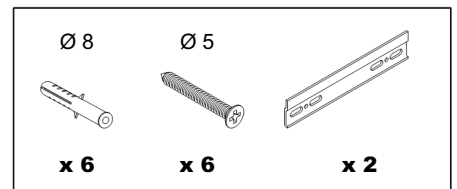
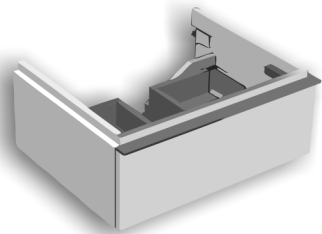




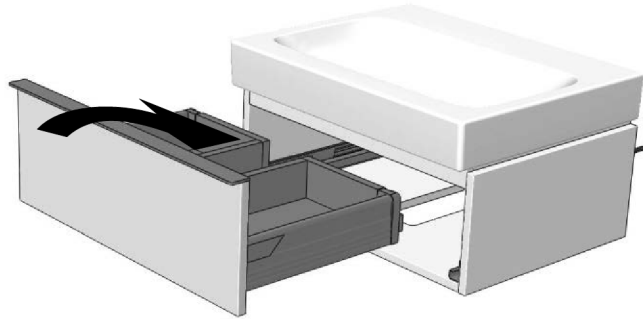
# Installation Manual

Montageanleitung  
Instructions de montage  
Istruzioni per il montaggio

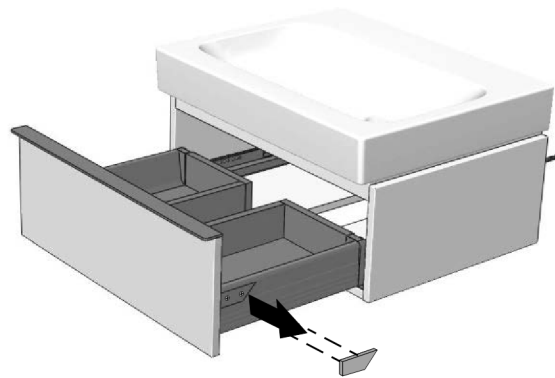
**KNOW  
HOW**  
INSTALLED



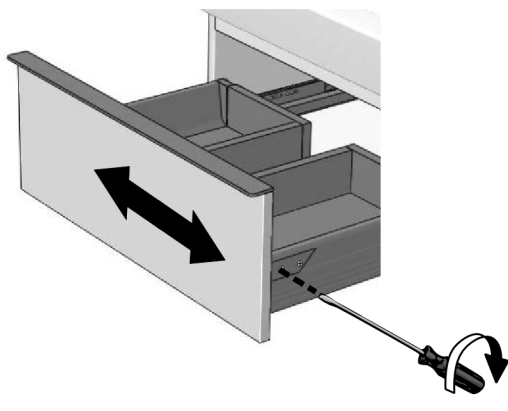
**6**



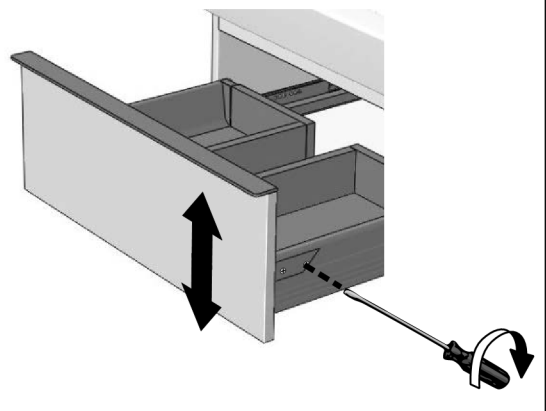
**7**



**8**



**9**



---

**Geberit International AG**  
**Schachenstrasse 77, CH-8645 Jona**  
**documentation@geberit.com**  
→ **www.geberit.com**

