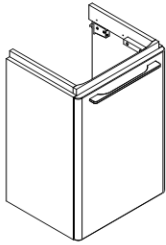




Installation Manual

Montageanleitung
Instructions de montage
Istruzioni per il montaggio

**KNOW
HOW**
INSTALLED



x 6



x 2



Ø 10

x 2

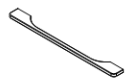


x 2



M4

x 2

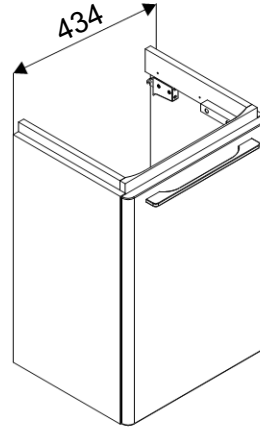
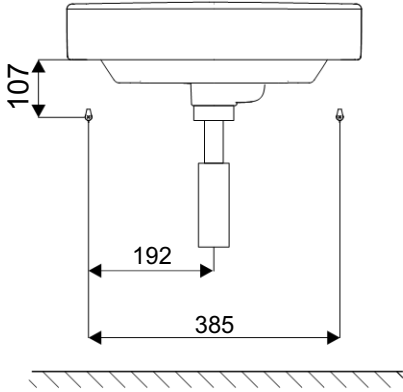


x 1

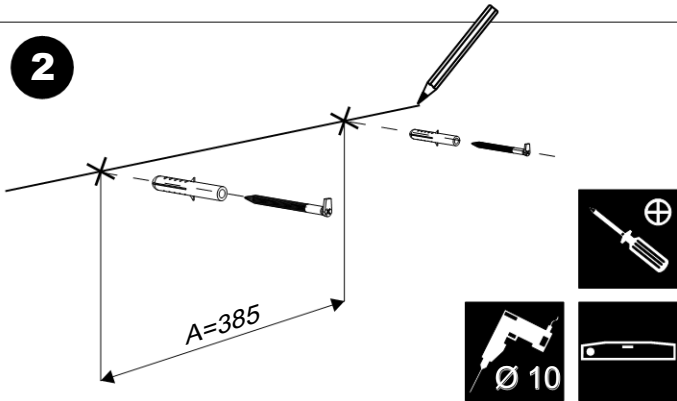


x 2

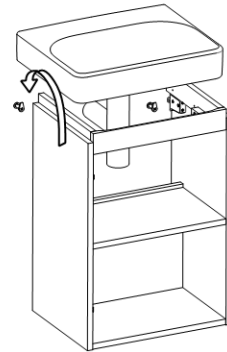
1



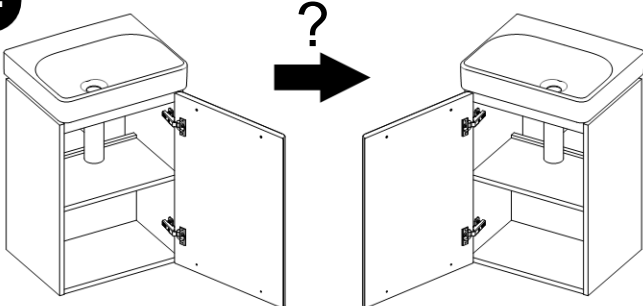
2



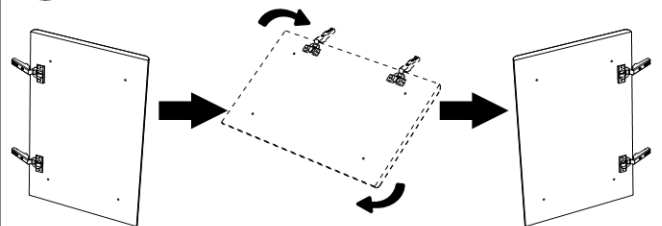
3



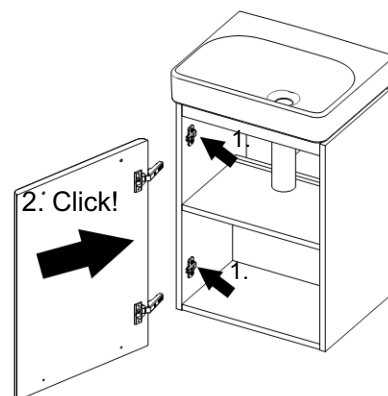
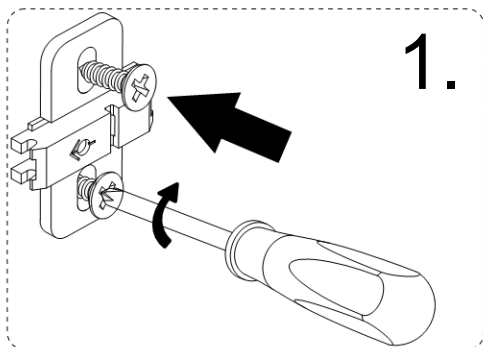
4

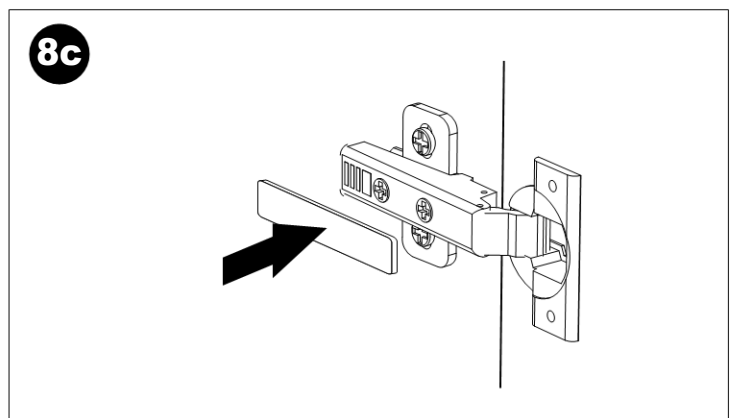
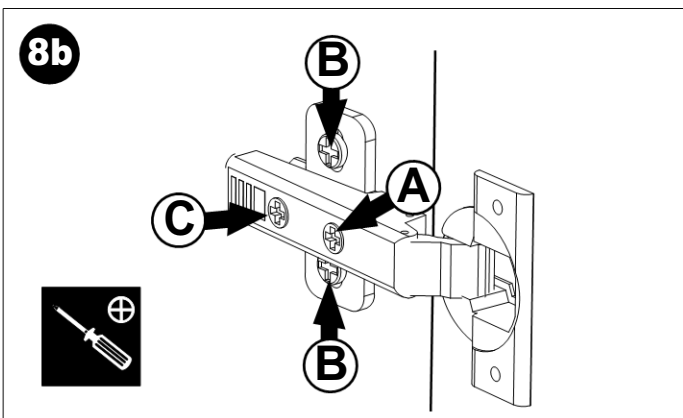
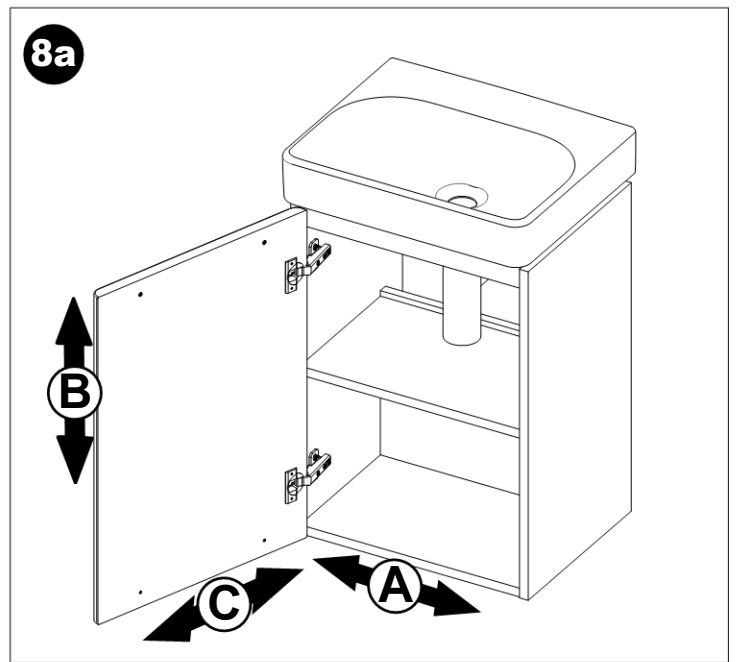
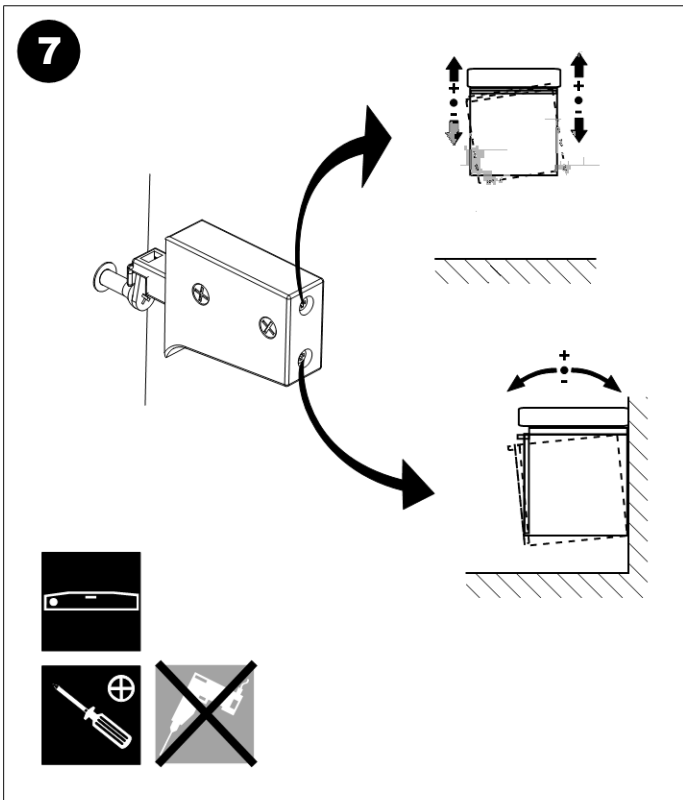
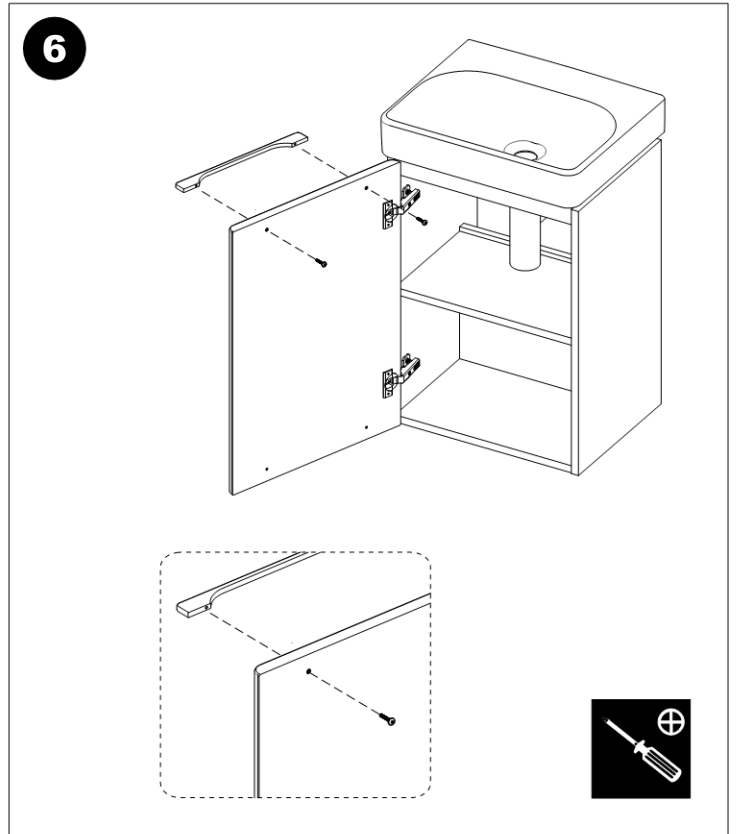
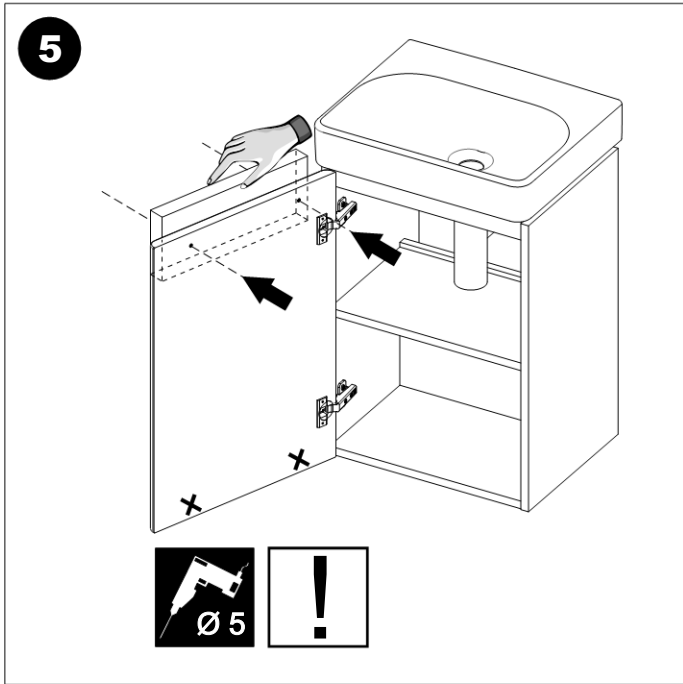


4a



4b





Geberit International AG
Schachenstrasse 77, CH-8645 Jona
documentation@geberit.com
→ **www.geberit.com**

