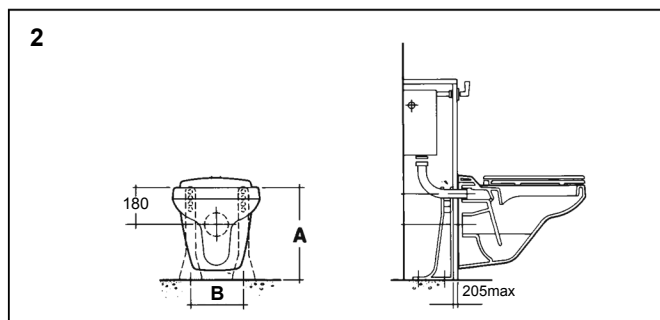
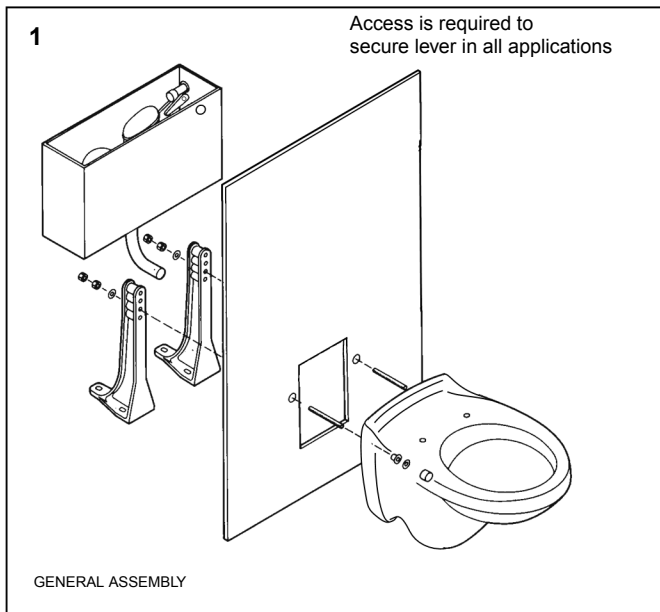
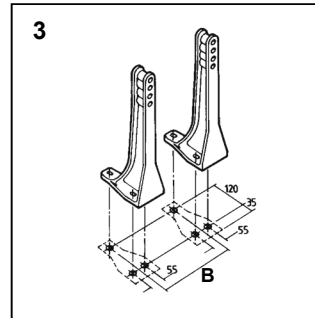


***Prior to installation, please establish the correct dimension for your particular WC / Bidet**

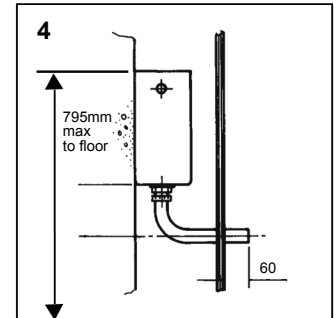
Dimension - B	180mm *or 230mm
----------------------	------------------------



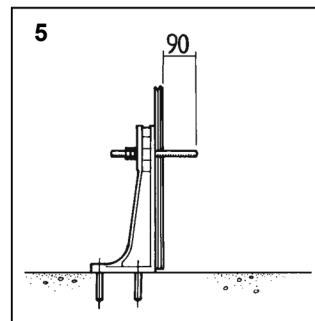
Normal height of w.c. basin (dimension A) is 400mm. Design of floor brackets also allows heights of 375mm, 425mm or 450mm.
 Before fixing, ensure soil pipe installation will accommodate the height chosen.
 Note *Floor brackets may only be fixed to a solid floor.
 *Access to cistern must be built into design of panels.



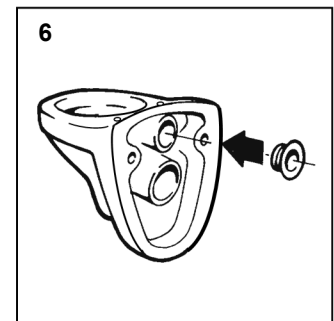
Drill holes for floor brackets as shown. Secure brackets to floor using M12 rawbolts (not supplied).



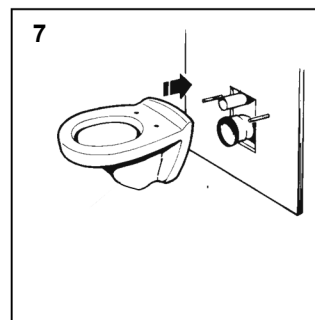
Fix cistern at maximum height shown above. Install cistern as per the instructions provided with the cistern.



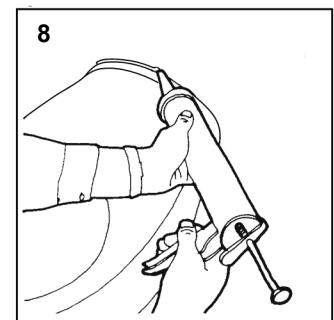
Assemble nuts and washers onto studding so that studding protrudes 90mm from front of panel. Nuts should then be locked tightly together.



Fit flush bend seal provided into w.c. basin.



Ensure soil socket seal is in correct position and fit w.c. basin onto studs. Secure basin in position using fixings and instructions supplied with the w.c.



Seal around back and sides of w.c. with silicone building sealant.