

C71

**C71-F450-12 Sink combination 450 with drainer**

Surfaces: **chrome** Art. no. : **43230000**



## Description

### product features

- Consists of: built-in sink, 2-hole single lever kitchen mixer, control unit, hose box, manual waste and overflow set
- for installation in worktops from 25 mm
- Material sink: stainless steel
- Number of bowls: 1 main bowl
- with drainage
- tap hole and hole for control unit are pre-drilled
- Orientation: bowl left
- Sink depth: 190 mm
- Cut-out dimensions: 1025 x 490 mm
- Cabinet size: 60 cm
- Installation type: flat on the countertop or flush-mount installation
- Position overflow: on the left side of the bowl
- for a tight and stable seating of the kitchen mixer
- Corner radius: 10 mm
- 3/8" hose connections
- Flow rate (at 3 bar) 8 l/min
- ceramic cartridge
- MagFit magnetic shower support
- integrated non-return valve
- Swivel spout 150°
- normal spray
- ComfortZone 200 provides space for greater freedom of movement
- Select button for a comfortable start/stop of the water flow
- for quiet, smooth and protected hose guidance in the cabinet, under the countertop, with extension length up to 76 cm

## Article Details

Price excl. VAT

£ 1,391.67

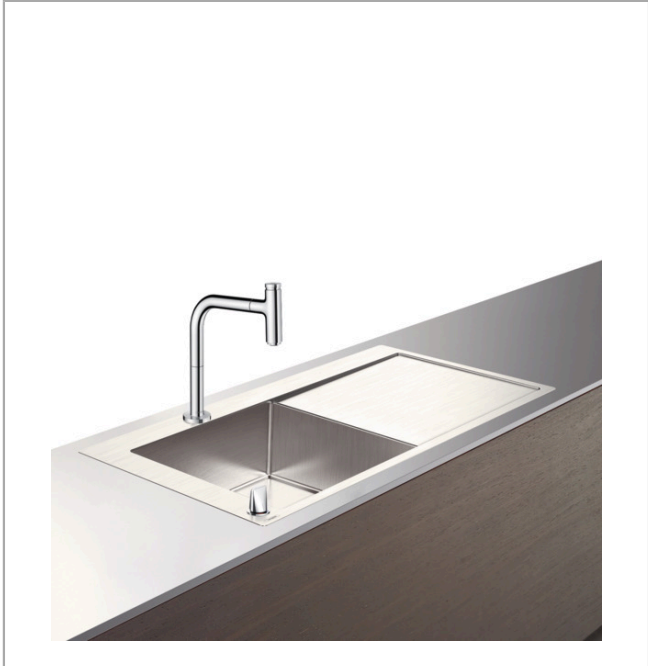
## Technology



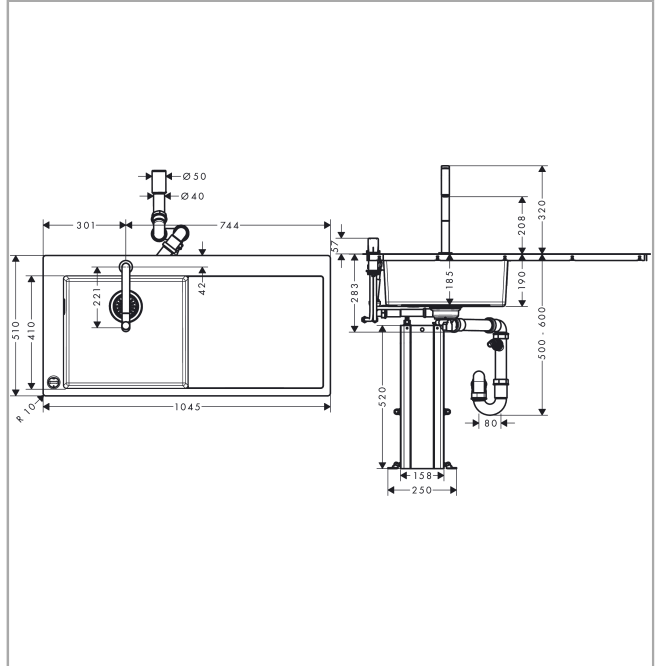
**C71**  
**C71-F450-12 Sink combination 450 with drainer**  
 Surfaces: **chrome** Art. no. : **43230000**



### Product image



### Scale drawing



### Flowchart

