

**C51**

**C51-F450-12 Sink combination 450 with drainer**

Surfaces: **chrome** Art. no. : **43228000**



## Description

### product features

- Consists of: built-in sink, 2-hole single lever kitchen mixer, control unit, hose box, automatic waste and overflow set
- Material sink: SilicaTec
- Number of bowls: 1 main bowl
- with drainage
- Tap hole for drilling is predefined (see scale drawing)
- Orientation: bowl left
- Sink depth: 190 mm
- Cut-out dimensions: 1030 x 490 mm
- Cabinet size: 60 cm
- Installation type: topmount
- Position overflow: on the left side of the bowl
- 3/8" hose connections
- Flow rate (at 3 bar) 8 l/min
- ceramic cartridge
- MagFit magnetic shower support
- integrated non-return valve
- Swivel spout 150°
- normal spray
- ComfortZone 200 provides space for greater freedom of movement
- Select button for a comfortable start/stop of the water flow
- for quiet, smooth and protected hose guidance in the cabinet, under the countertop, with extension length up to 76 cm

## Article Details

Price excl. VAT

£ 983.33

## Technology



## Design awards



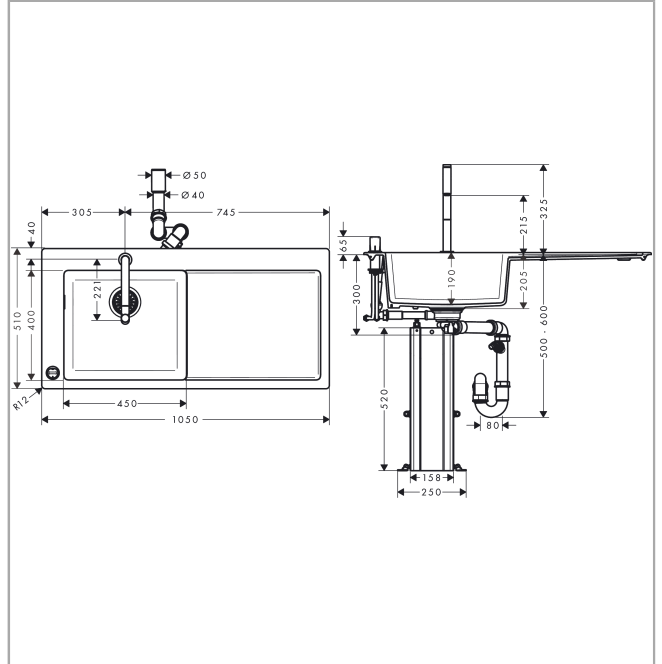
**C51**  
**C51-F450-12 Sink combination 450 with drainer**  
 Surfaces: **chrome** Art. no. : **43228000**



### Product image



### Scale drawing



### Flowchart

