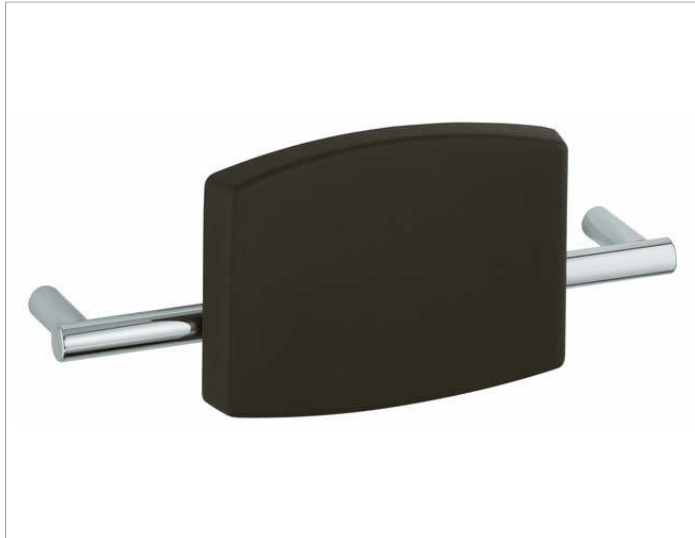
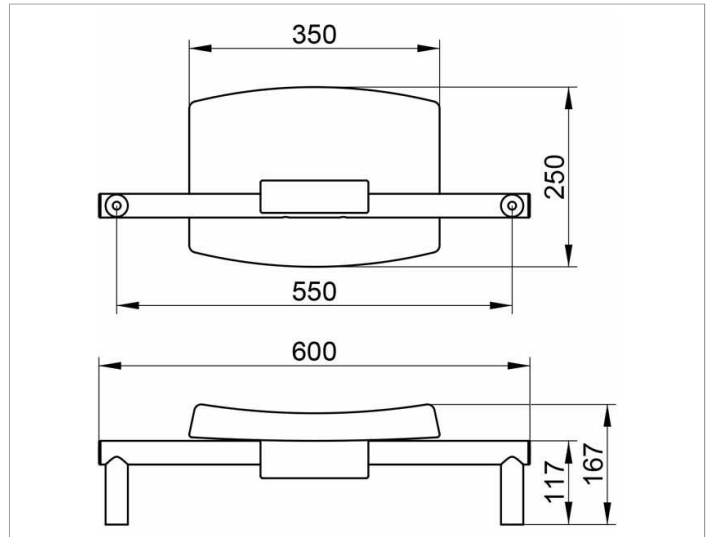


**Plan Care**  
**34979170600 Rail**

**PRODUCT**



**DRAWING**



**SURFACE**

aluminium silver anodized (E6 EV1)

**DIMENSION**

600 mm

**SPECIFICATIONS**

KEUCO PLAN CARE rail for back rest for WC 34979170600  
 aluminium silver anodized rail in esthetic, practical design  
 in combination with back rest cat-no 34979  
 anti-static  
 easy to clean  
 ideal for use in public areas  
 width: 600mm borehole distance 550mm  
 projection  
 wall distance 84mm, projection/overhang 117mm  
 pipe diameter 33mm

It is essential for installation to order the correct  
 Screws/bolt depending on type of wall:  
 1 x mounting set 2 (Art. no. 34991 000100), or  
 1 x mounting set 5 (Art. no. 34991 000200), or  
 1 x mounting set 8 (Art. no. 34994000200)

the back rest is to be ordered separately!