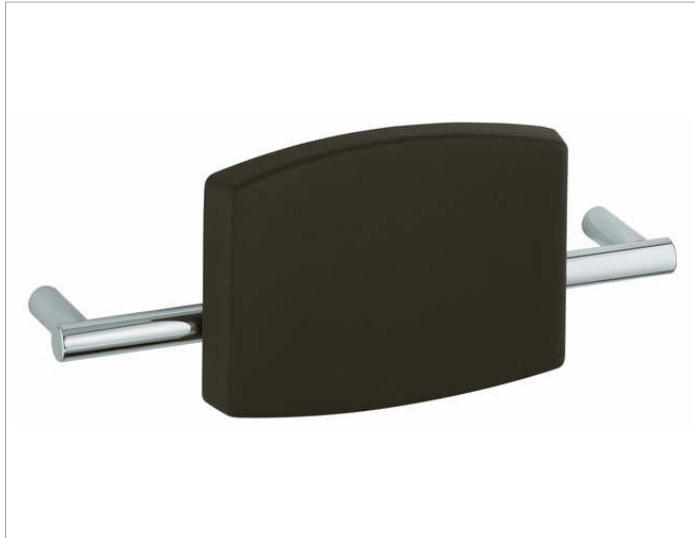
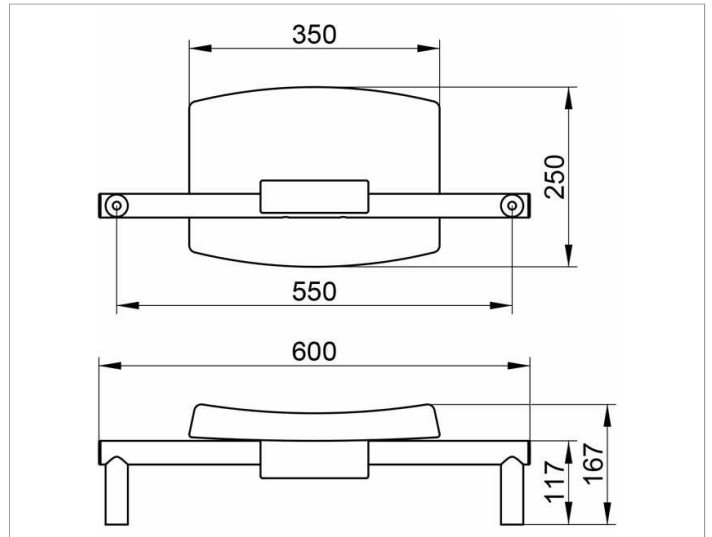


Plan Care
34979010600 Rail

PRODUCT



DRAWING



SURFACE

chrome-plated

DIMENSION

600 mm

SPECIFICATIONS

KEUCO PLAN CARE rail for back rest for WC 34979010600
 chrome-plated rail in esthetic, practical design
 in combination with back rest cat-no 34979
 anti-static
 easy to clean
 ideal for use in public areas
 width: 600mm borehole distance 550mm
 projection
 wall distance 84mm, projection/overhang 117mm
 pipe diameter 33mm

It is essential for installation to order the correct
 Screws/bolt depending on type of wall:
 1 x mounting set 2 (Art. no. 34991 000100), or
 1 x mounting set 5 (Art. no. 34991 000200), or
 1 x mounting set 8 (Art. no. 34994000200)

the back rest is to be ordered separately!