

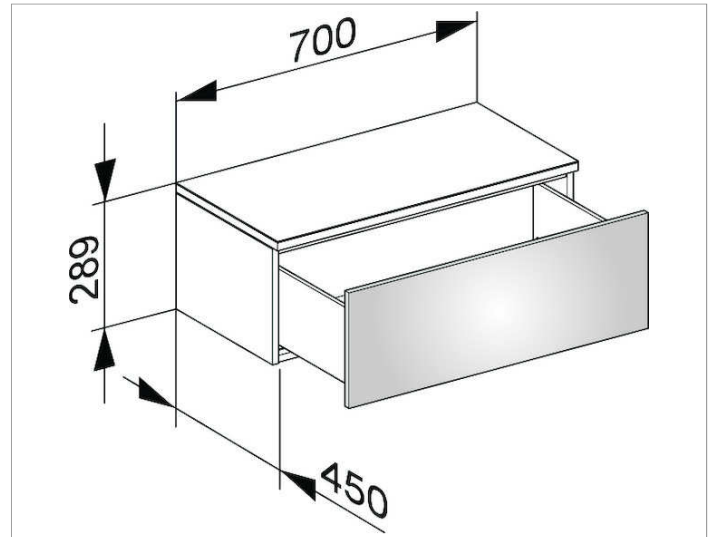
Edition 400

31741ZZ0001 Side unit

PRODUCT



DRAWING



PRODUCT ATTRIBUTES

wall mounted
1 drawer front with push-to-open mechanism
and soft closing, front height 270 mm

SURFACE

21, 40, 68, 80, 82, 84, 86, 87, 88, 96

DIMENSION

700 x 289 x 450 mm