

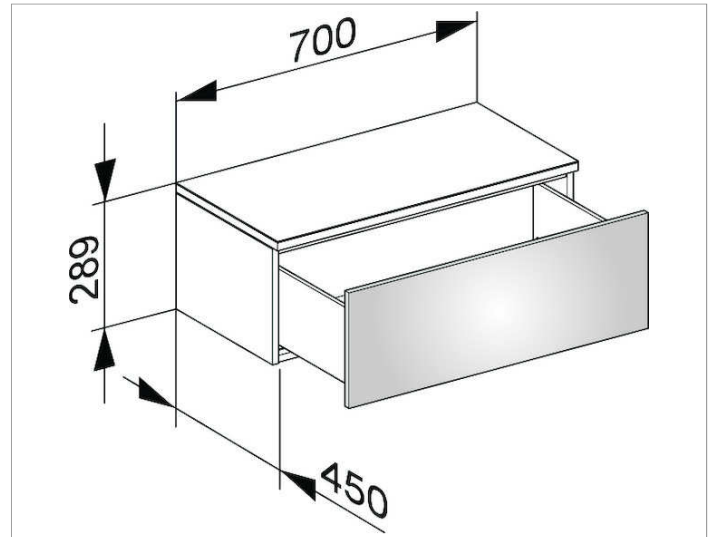
Edition 400

31741YY0001 Side unit

PRODUCT



DRAWING



PRODUCT ATTRIBUTES

wall mounted
1 drawer front with push-to-open mechanism
and soft closing, front height 270 mm

SURFACE

11,13,14,15,16,17,18,27,28,30,43,53,70,71,72,73,74,75,76,77,78,79

DIMENSION

700 x 289 x 450 mm