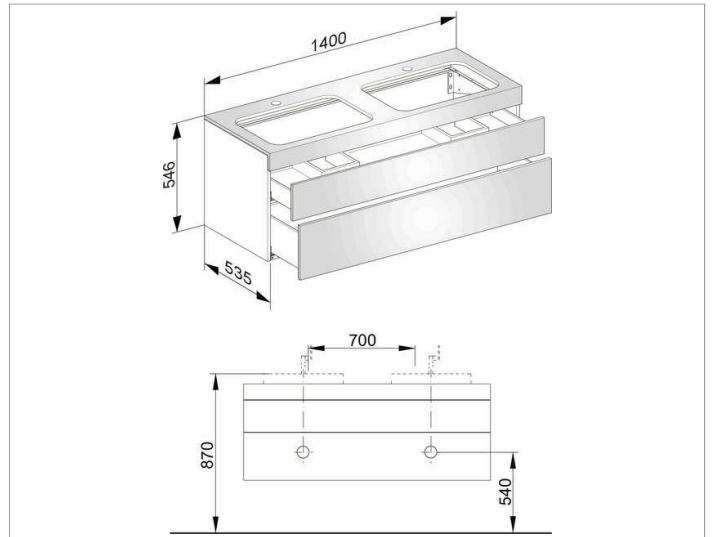


Edition 400
31574ZZ0100 Vanity unit

PRODUCT



DRAWING



PRODUCT ATTRIBUTES

with tap hole,
compatible with 2 ceramic washbasins Article No. 31570,
2 drawer fronts with push-to-open mechanism and
soft closing, incl. odour trap made of plastic 1 1/4 x 32

SURFACE

21, 40, 68, 80, 82, 84, 86, 87, 88, 96

DIMENSION

1400 x 546 x 535 mm