

## Focus

**Electronic basin mixer with temperature pre-adjustment and battery operated**

Surfaces: **chrome** Art. no. : **31172000**



### Description

#### product features

- ComfortZone 130 provides space for greater freedom of movement
- spout 127 mm long
- Flow rate (at 3 bar): 5 l/min
- Min. operating pressure: 1 bar
- Max. operating pressure: 8 bar
- theft-proof aerator
- Maximum temperature can be adjusted on installation
- temperature pre-adjustable
- Non-return valve
- infrared sensor technology
- automatic environmental adjustment of infrared sensor
- adjustable optical range of infrared sensor (2 settings)
- Battery condition indicator
- Lithium CR-P2/6V battery included, (approx. 2 year battery life)
- hygiene rinse activatable (automatic water flow for 10 seconds every 24 hours following the last operation)
- permanent rinse activatable (single water flow for 180 seconds, suitable for thermal disinfection)
- manual flow stop for cleaning
- performance may be impaired if the sensor is obscured by the design of the wash basin, or when the wash basin is oversized and the distance between sensor and the wash basin edge is larger than 75 mm
- functional restriction due to too great a distance
- Noise class: I
- dirt filters in the connection hoses
- two filter units with fine filter to protect from incoming dirt, for assembly on existing angle valves, filter element can be removed and cleaned
- if running with a pump, please specify a universal (negative head) pump

### Article Details

Price excl. VAT

£ 445.83

### Technology



## Focus

Electronic basin mixer with temperature pre-adjustment and battery operated

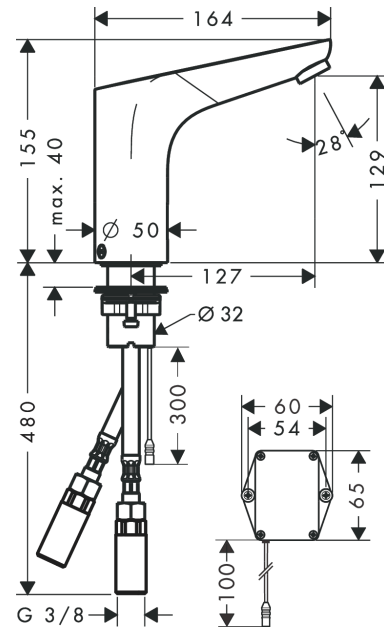
Surfaces: **chrome** Art. no. : **31172000**



### Product image



### Scale drawing



### Flowchart

