

Metris

Pillar tap 100 for cold water without waste

Surfaces: **chrome** Art. no. : **31166000**



Description

product features

- ComfortZone 100 provides space for greater freedom of movement
- free-standing installation
- spout 89 mm long
- normal spray
- Flow rate (at 3 bar): 5 l/min
- Min. operating pressure: 1 bar
- Max. operating pressure: 10 bar
- ceramic valves 90°
- For cold water connection
- QuickClean technology for easy limescale removal
- please specify when ordering if required for low pressure

Article Details

Price excl. VAT

£ 212.50

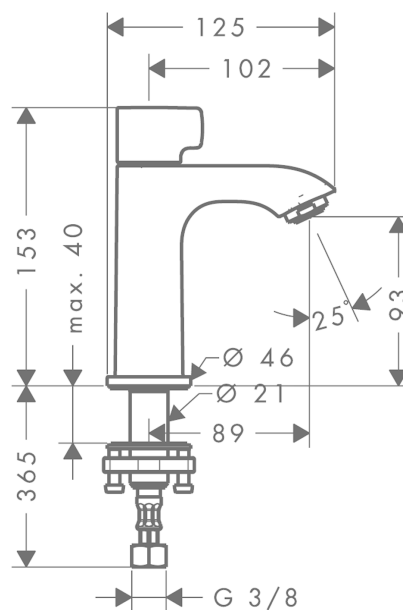
Technology



Product image



Scale drawing



Flowchart

