

Croma Select E
Showerpipe 180 2jet with thermostatic bath mixer
 Surfaces: **white/chrome** Art. no. : **27352400**



Description

product features

- Consists of: overhead shower, hand shower, thermostatic bath mixer, shower hose, slider
- overhead shower Croma Select E 180 2jet
- Shower head size: 180 mm x 180 mm
- Spray pattern: Rain, IntenseRain
- overhead shower angle adjustable
- height-adjustable hand shower holder
- Maximum flow rate (at 3 bar): 18 l/min
- flow rate IntenseRain 17 l/min at 3 bar
- flow rate Rain 17 l/min at 3 bar
- Operating pressure: min. 1 bar/max. 10 bar
- Swivel shower arm
- thermostat Ecostat Comfort
- flow rate bath filler 20 l/min at 3 bar
- safety stop at 40°C
- adjustable hot water limitation
- outlets controlled via volume control/diverter and may not be used simultaneously
- exposed design allows easy installation, all working parts are outside of the wall
- Connection dimension 1/2"
- Connection thread 1/2"
- Centre distance 150 mm ± 12 mm
- pipe can be shortened in height
- operating pressure: min 1 bar / max 10 bar

Article Details

Price excl. VAT

£ 850.00

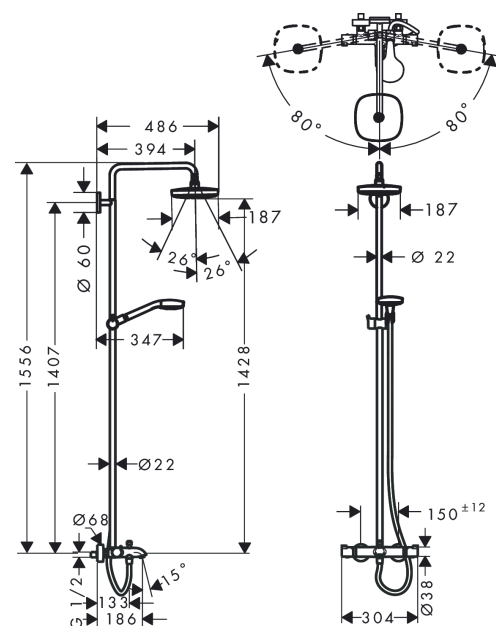
Technology



Product image



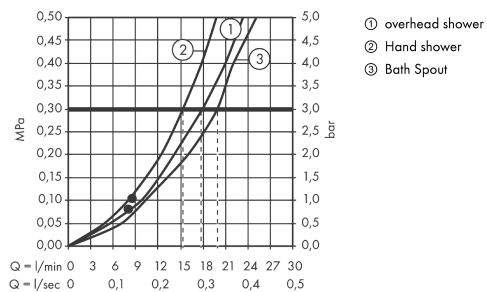
Scale drawing



Croma Select E
Showerpipe 180 2jet with thermostatic bath mixer
 Surfaces: **white/chrome** Art. no. : **27352400**



Flowchart



Croma Select E
Showerpipe 180 2jet with thermostatic bath mixer
 Surfaces: **white/chrome** Art. no. : **27352400**



Installation examples

