

Croma Select E
Showerpipe 180 2jet with manual shower mixer
 Surfaces: **white/chrome** Art. no. : **27258400**



Description

product features

- Consists of: overhead shower, hand shower, single lever manual shower mixer, shower hose, slider
- overhead shower Croma Select E 180 2jet
- Shower head size: 180 mm x 180 mm
- overhead shower angle adjustable
- Spray pattern: Rain, IntenseRain
- height-adjustable hand shower holder
- Shower arm length: 400 mm
- swivelling shower arm
- flow rate IntenseRain 16 l/min at 3 bar
- flow rate Rain 16 l/min at 3 bar
- Operating pressure: min. 1.5 bar/max. 10 bar
- exposed design allows easy installation, all working parts are outside of the wall
- Connection dimension 1/2"
- Connection thread 1/2"
- Centre distance 150 mm ± 12 mm
- ceramic cartridge
- Maximum temperature can be adjusted on installation
- pipe can be shortened in height

Article Details

Price excl. VAT

£ 683.33

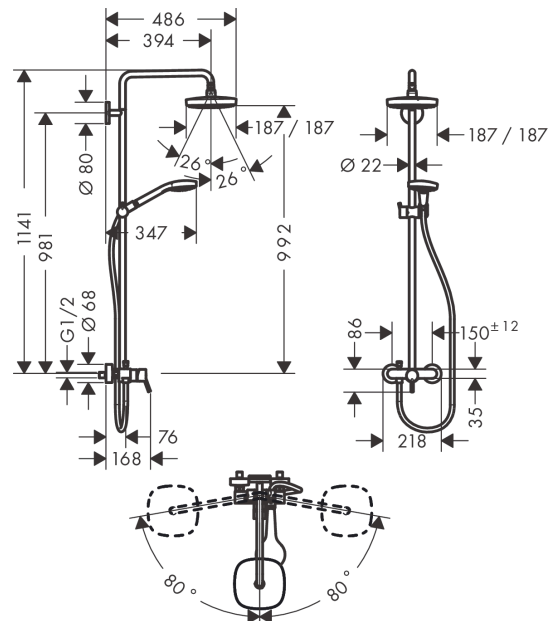
Technology



Product image



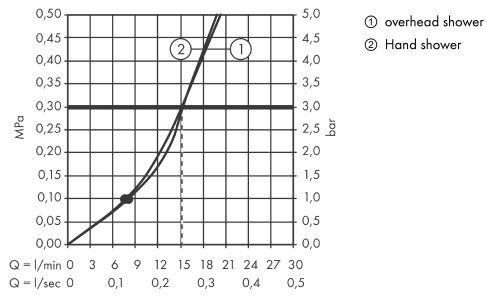
Scale drawing



Croma Select E
Showerpipe 180 2jet with manual shower mixer
 Surfaces: **white/chrome** Art. no. : **27258400**



Flowchart



Croma Select E
Showerpipe 180 2jet with manual shower mixer
 Surfaces: **white/chrome** Art. no. : **27258400**



Installation examples

