

Croma Select S
Showerpipe 280 1jet with manual shower mixer
 Surfaces: **chrome** Art. no. : **26791000**



Description

product features

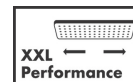
- Consists of: overhead shower, hand shower, single lever manual shower mixer, shower hose, slider
- overhead shower Croma 280
- Shower head size: 280 mm
- overhead shower angle adjustable
- Spray pattern: RainAir
- height-adjustable hand shower holder
- Shower arm length: 400 mm
- swivelling shower arm
- Maximum flow rate (at 3 bar): 15 l/min
- flow rate RainAir 15 l/min at 3 bar
- Operating pressure: min. 1 bar/max. 10 bar
- exposed design allows easy installation, all working parts are outside of the wall
- Connection dimension 1/2"
- Connection thread 1/2"
- Centre distance 150 mm ± 12 mm
- ceramic cartridge
- Maximum temperature can be adjusted on installation
- pipe can be shortened in height

Article Details

Price excl. VAT

£ 750.00

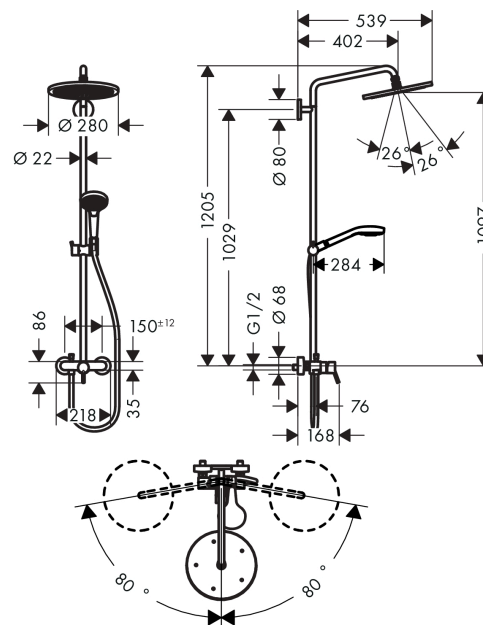
Technology



Product image



Scale drawing



Croma Select S
Showerpipe 280 1jet with manual shower mixer
 Surfaces: **chrome** Art. no. : **26791000**



Flowchart

