

## DogShower

### Dogs hand shower 150 3jet Select

Surfaces: **matt black** Art. no. : **26640670**



#### Description

##### product features

- Shower head size: 150 x 63 mm
- Spray pattern: fur spray, leg spray, paw spray
- Select button to comfortably switch between spray modes
- Maximum flow rate (at 3 bar): 7.6 l/min
- Minimum function point for proper function in l/min: 5.7 l/min
- Operating pressure: min. 2 bar/max. 6 bar
- minimum flow pressure: 1 bar
- elongated, brush-like nozzles (1,5 cm) for thorough cleaning with massage effect
- ergonomic design
- Water Boost: boost function to increase waterflow when needed
- Suitable for continous flow water heaters
- Connection dimension: 1/2"
- rinseable screen seal
- Non-return valve

#### Article Details

Price excl. VAT

£ 72.50

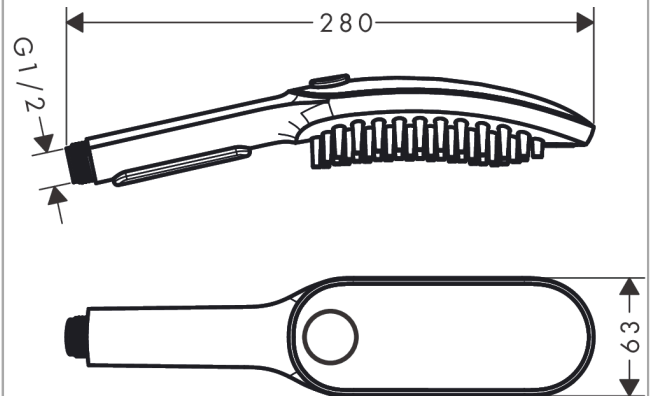
#### Technology



#### Product image



#### Scale drawing



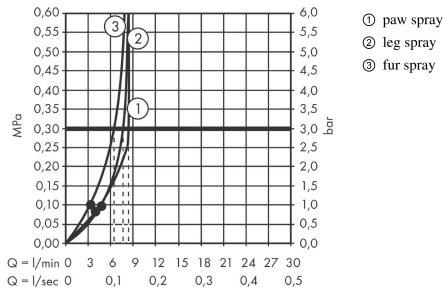
**DogShower**

**Dogs hand shower 150 3jet Select**

Surfaces: **matt black** Art. no. : **26640670**



**Flowchart**



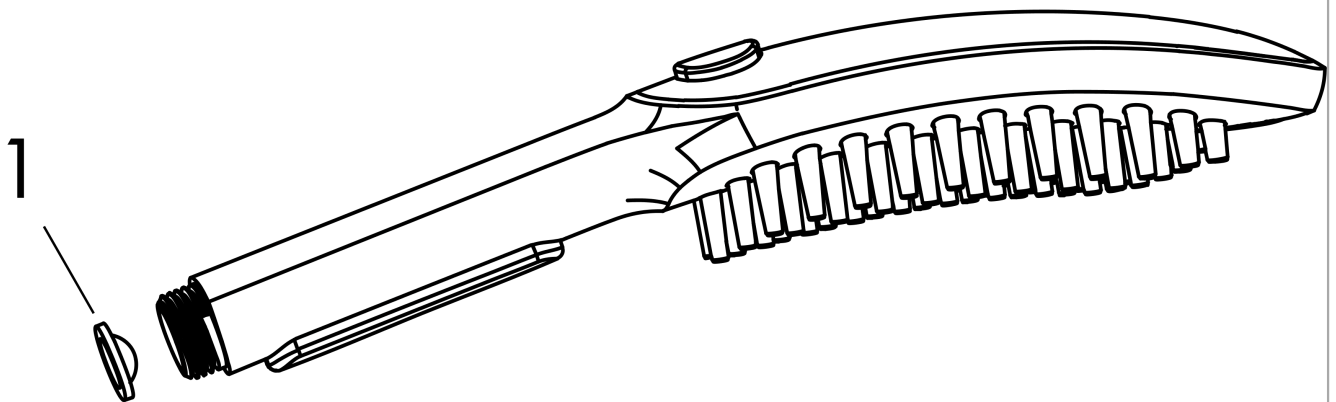
The consumption was measured in combination with the appropriate fittings (thermostat/mixer/in-wall valve) to reflect actual application in practice.

**DogShower**  
**Dogs hand shower 150 3jet Select**  
Surfaces: **matt black** Art. no. : **26640670**



**Exploded Drawing**

Year of production: >04/20



**DogShower**  
**Dogs hand shower 150 3jet Select**  
 Surfaces: **matt black** Art. no. : **26640670**



**Spare part list**

Year of production: >04/20

<b>Pos.</b>	<b>Description</b>	<b>Art. no.</b>	<b>Price</b>	<b>PU</b>
1	filter packing	94246000	-	1