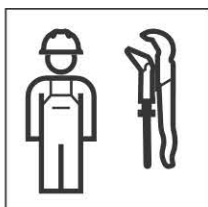
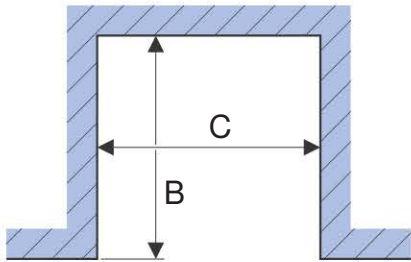
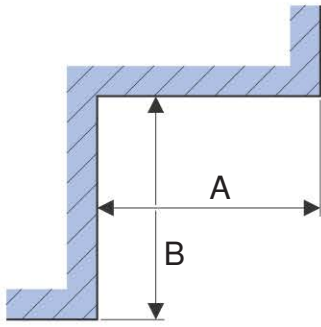




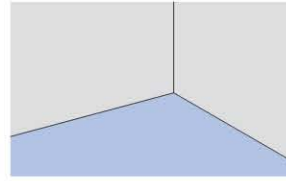
Installation Manual

Montageanleitung
Instructions de montage
Istruzioni per il montaggio

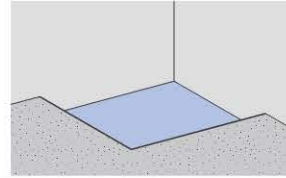




	A	B	C
80 x 120			
80 x 140			
80 x 150			
90 x 120	+	+	+
90 x 140			
100 x 120			
100 x 140			
120 x 120			



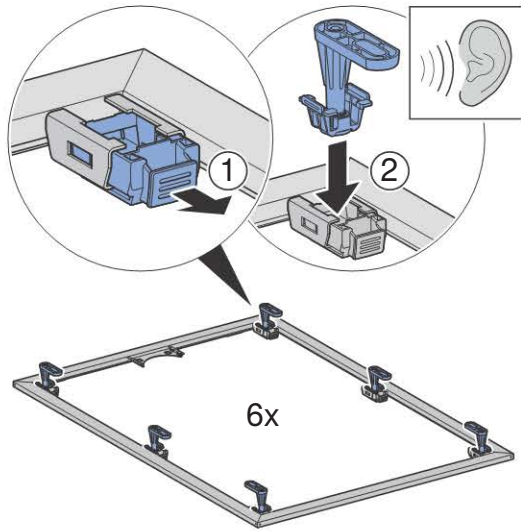
→ **1 A** 3



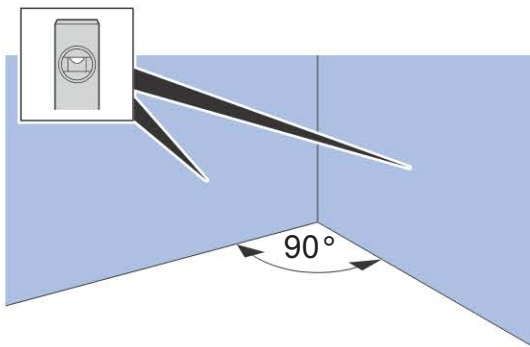
→ **1 B** 7

1 A

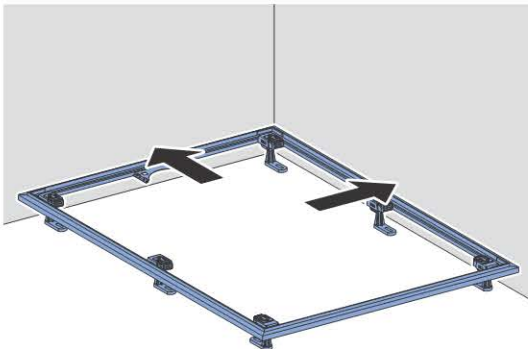
1



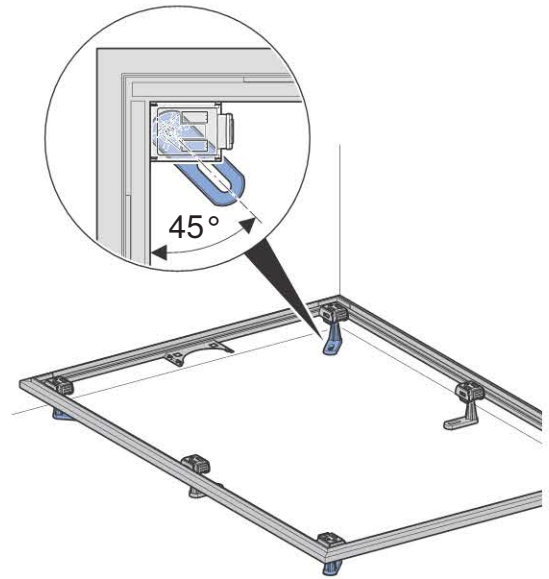
i



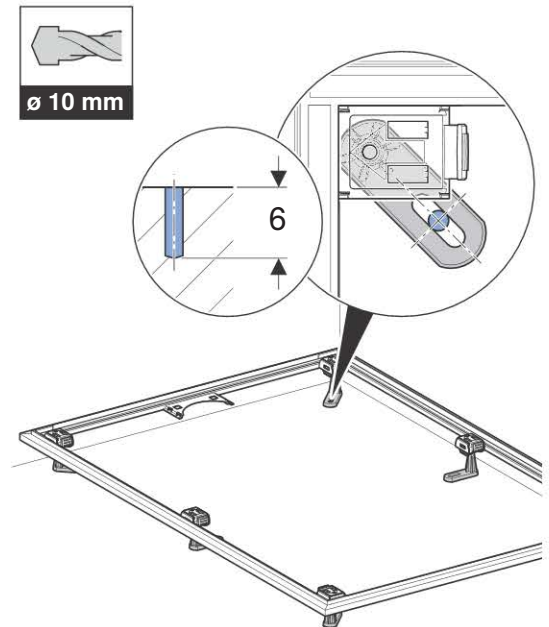
2



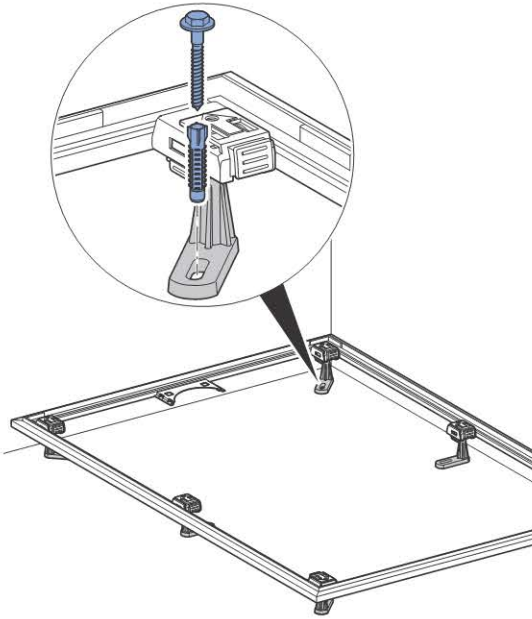
3



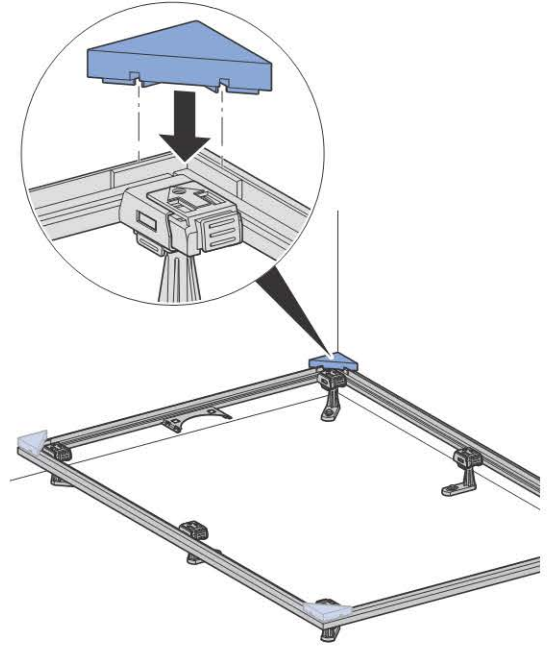
4



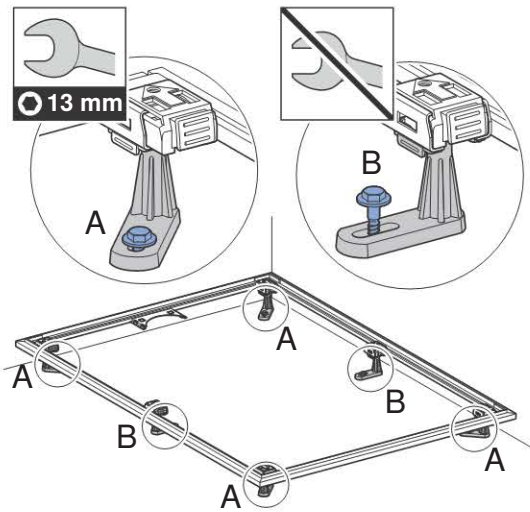
5



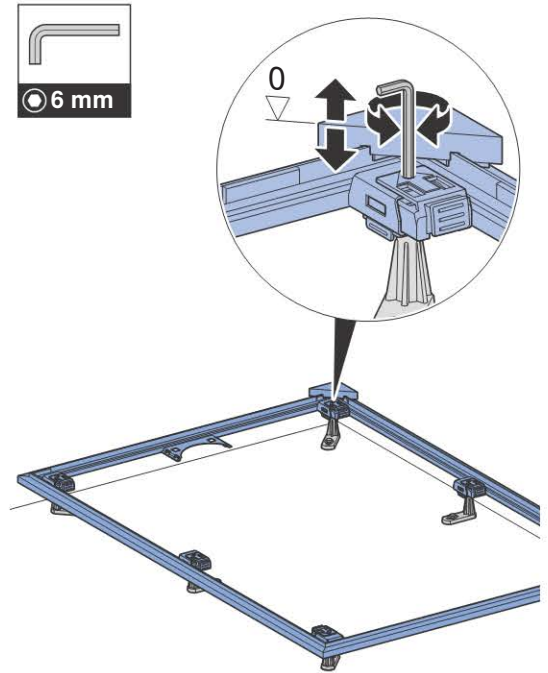
7

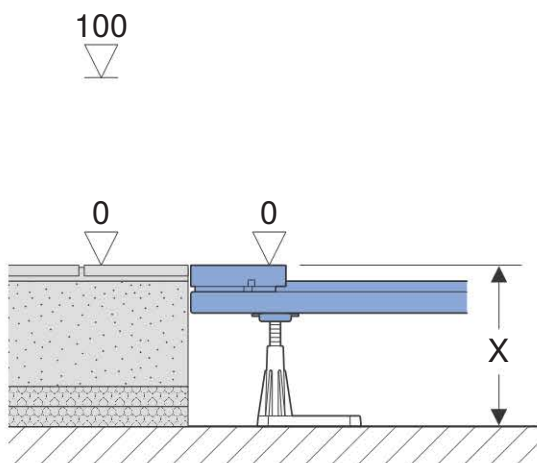


6



8



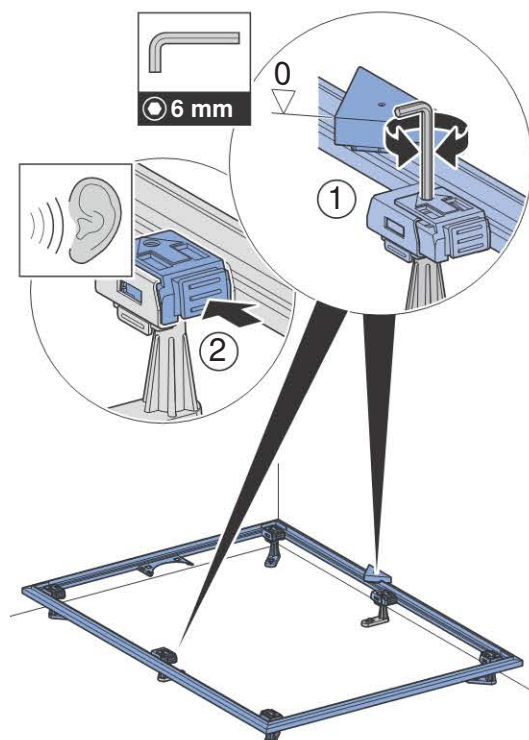


154.013.00.1
 154.014.00.1 $X = 11^5-16^5$
 154.015.00.1

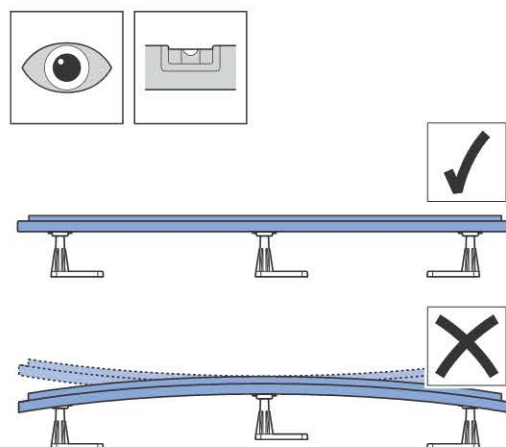
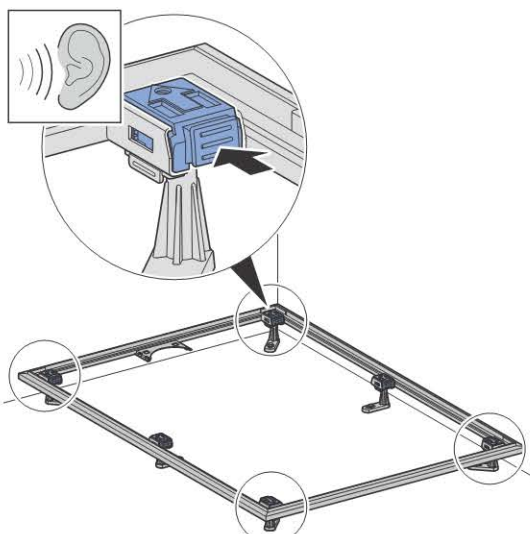
 154.021.00.1 $X = 9^5-11^5$



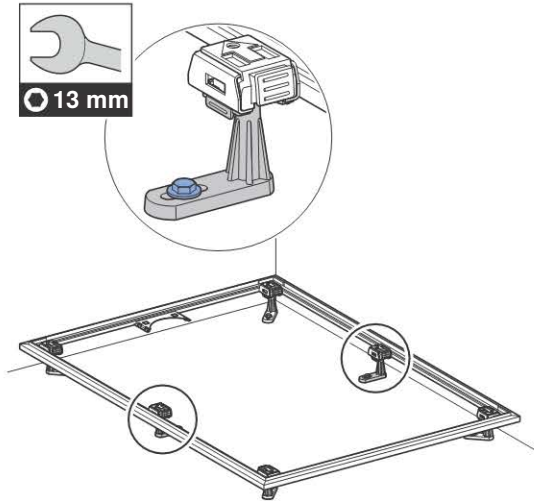
10



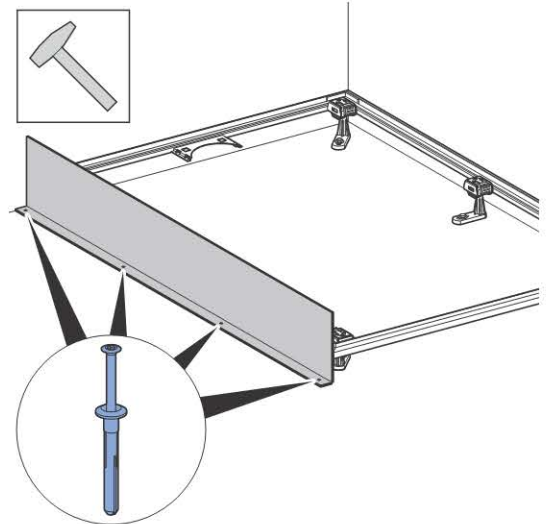
9



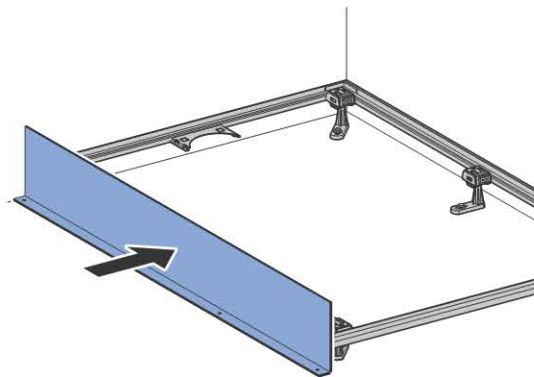
11



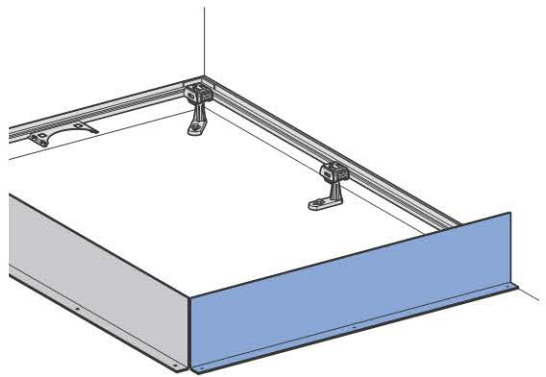
14



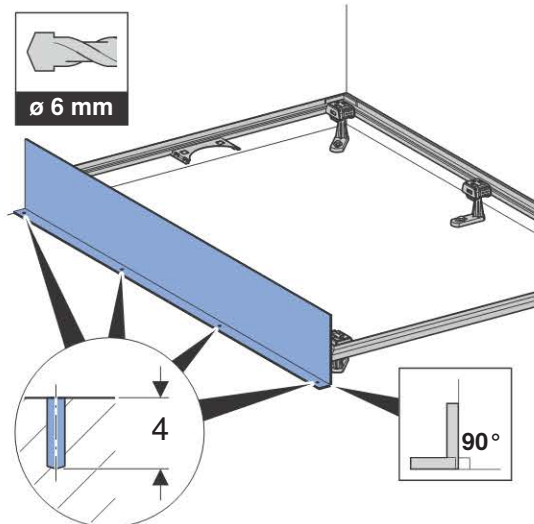
12



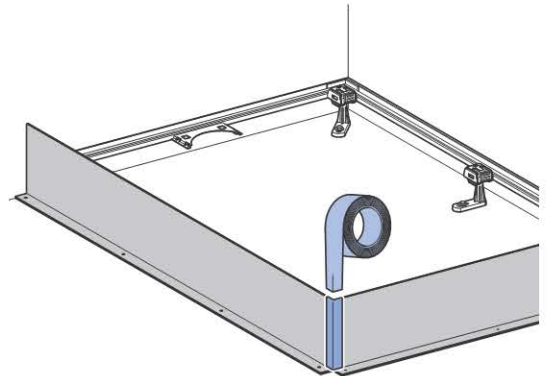
15



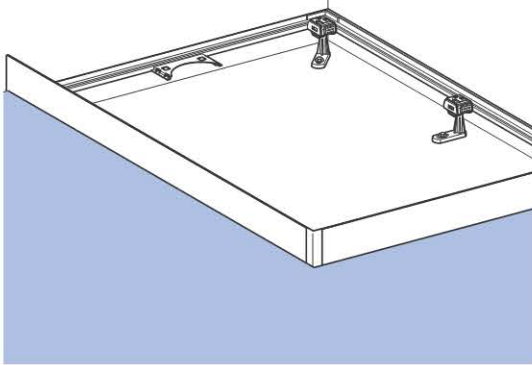
13



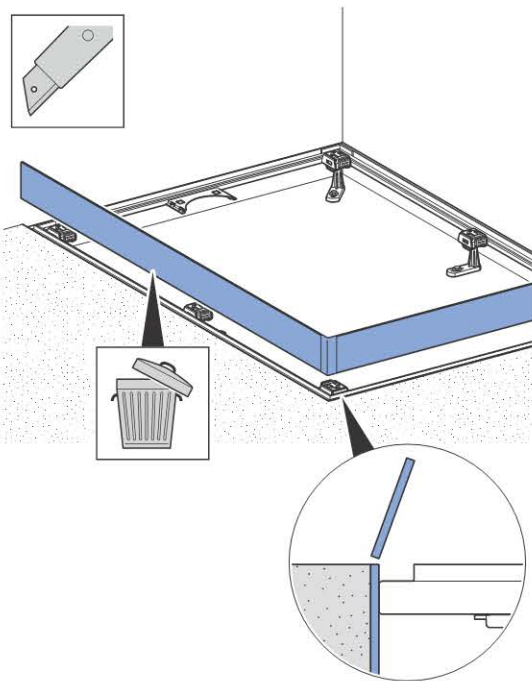
16



17



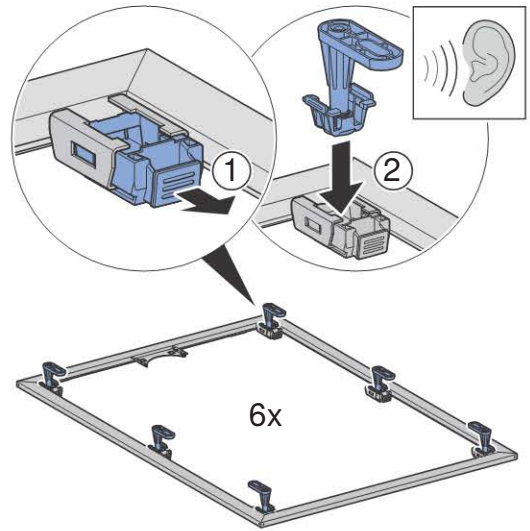
18



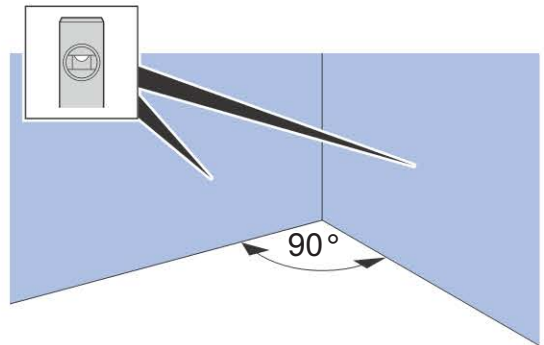
→ **2** 10

1 B

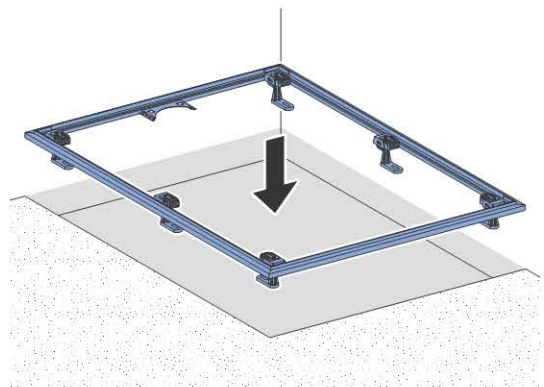
1



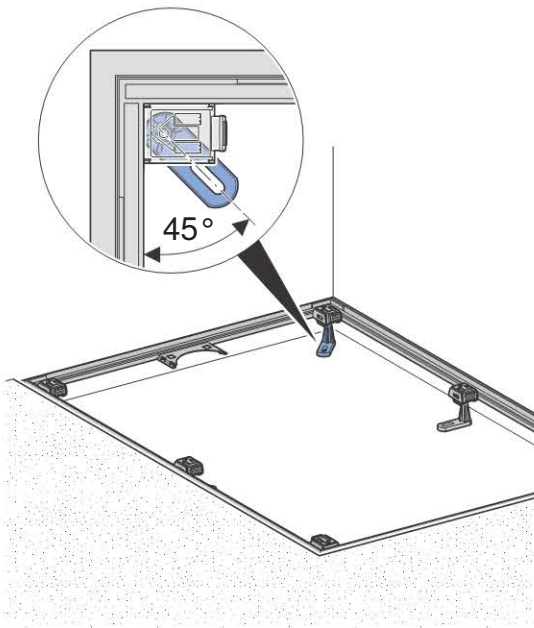
i



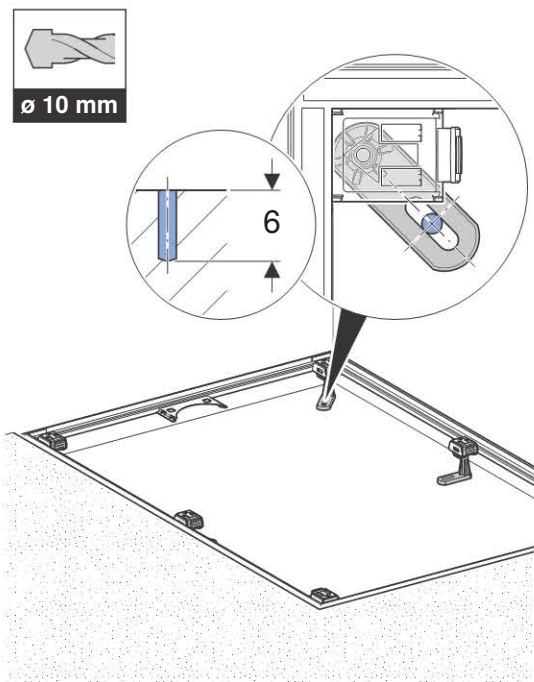
2



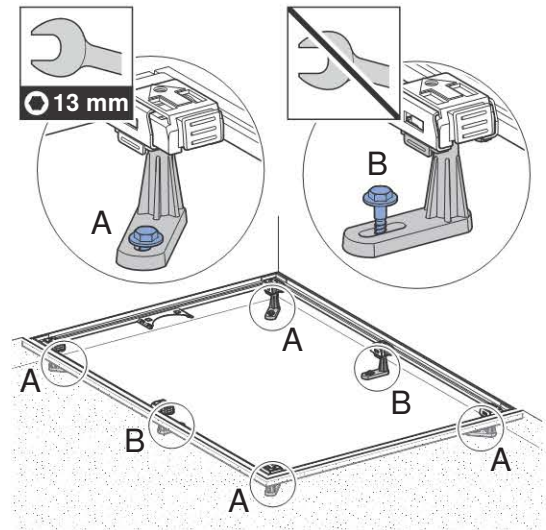
3



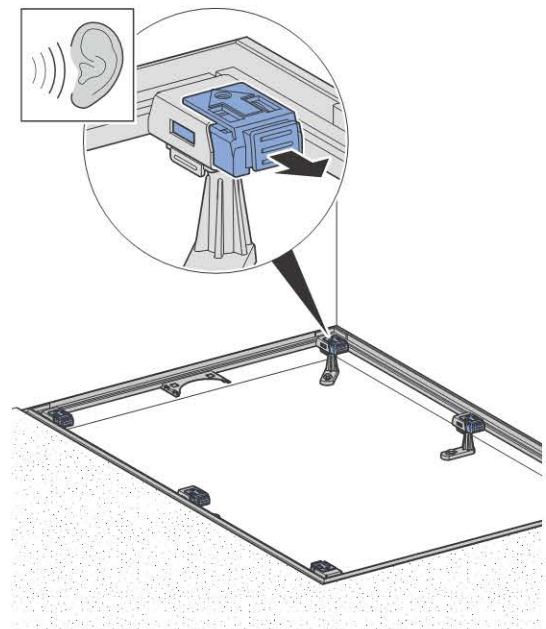
4



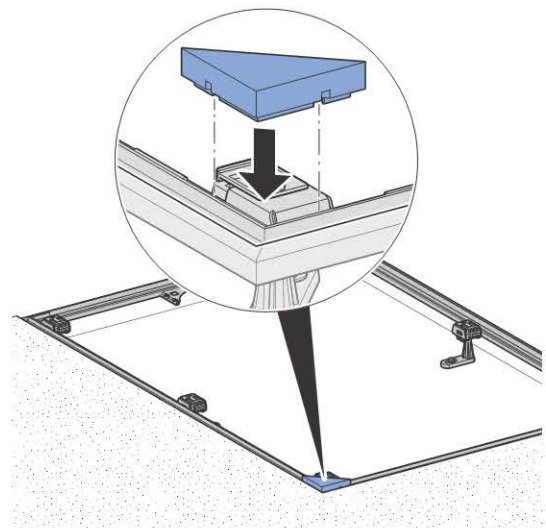
5



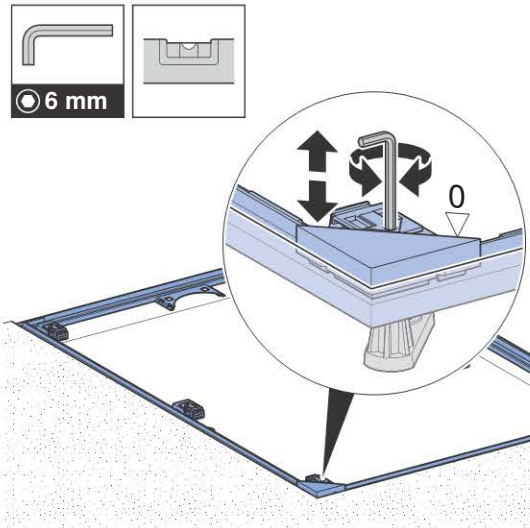
6



7



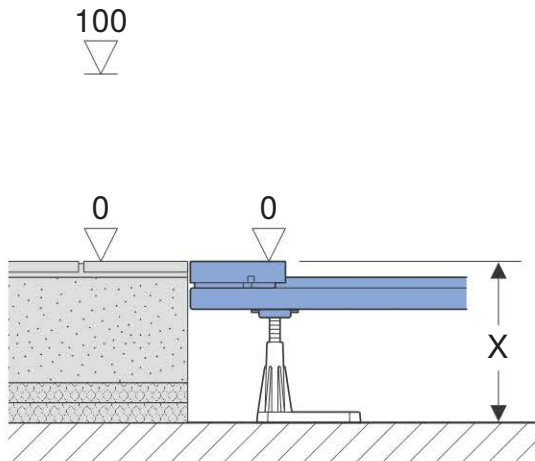
8



9



i

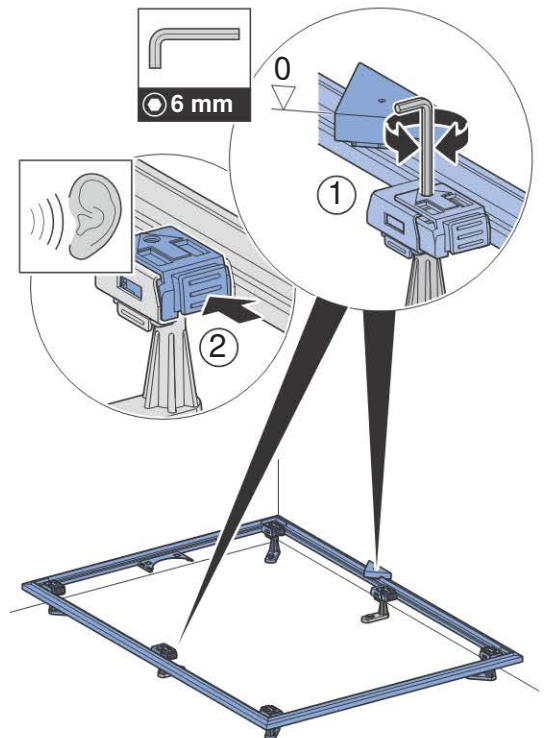


- 154.010.00.1
- 154.011.00.1 X = 11⁵–16⁵
- 154.012.00.1

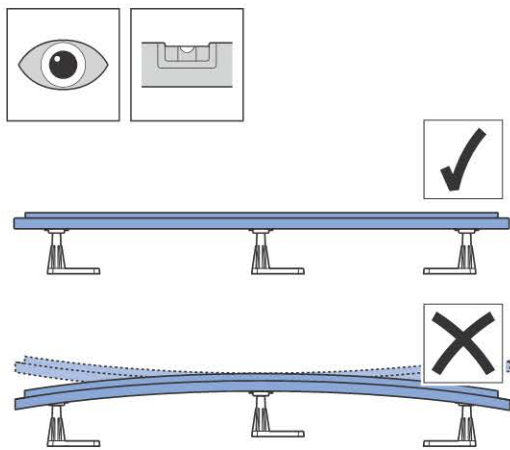
- 154.020.00.1 X = 9⁵–11⁵



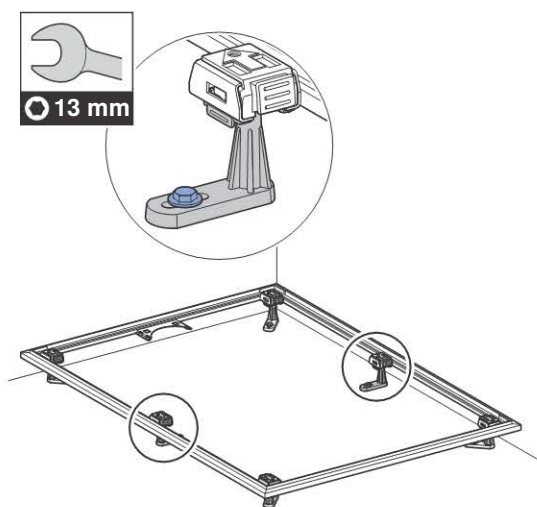
10



i



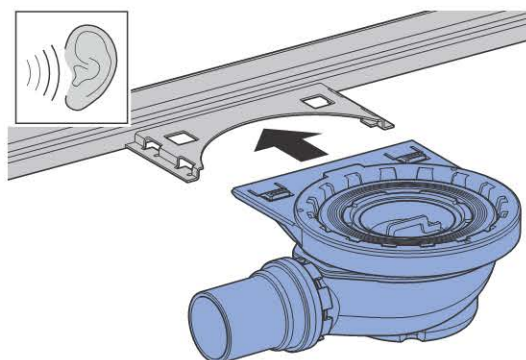
11



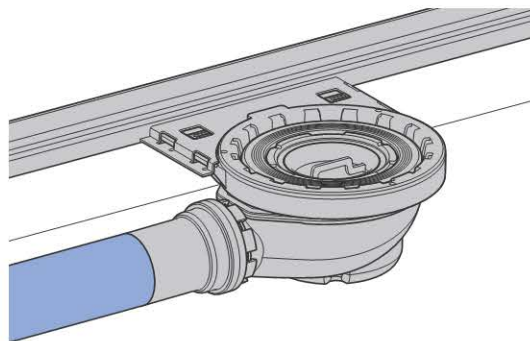
→ **2** 10

2

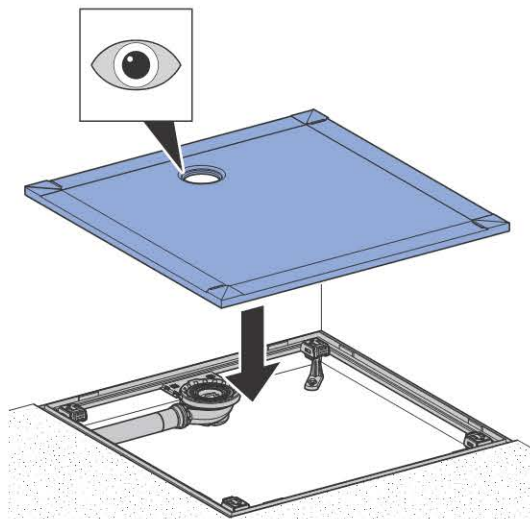
1



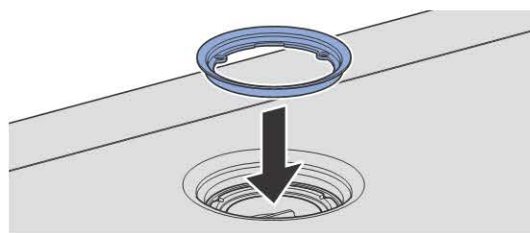
2



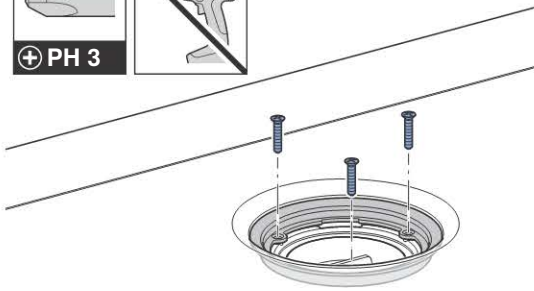
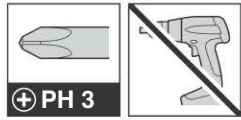
3



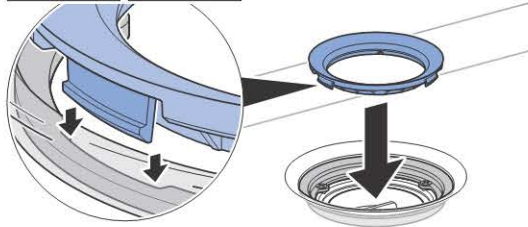
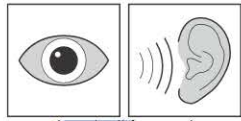
4



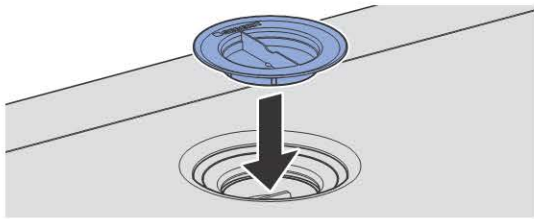
5



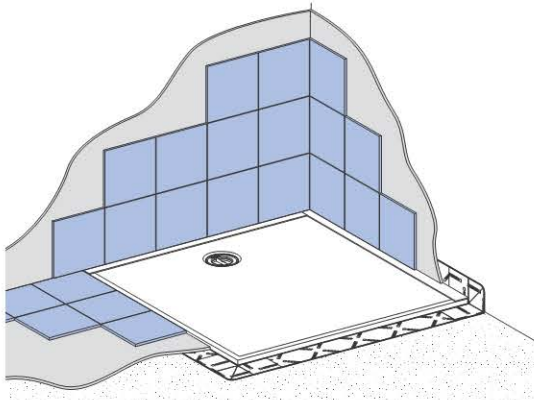
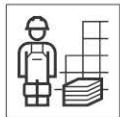
6



7

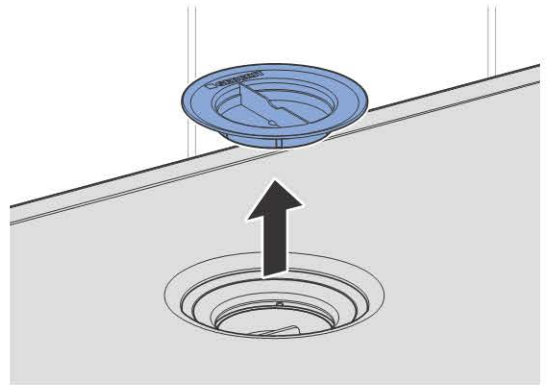


8

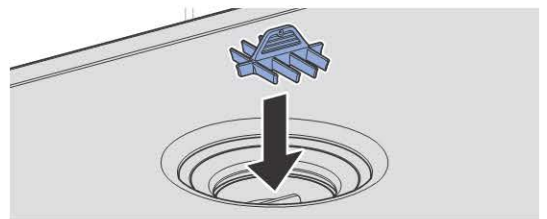


3

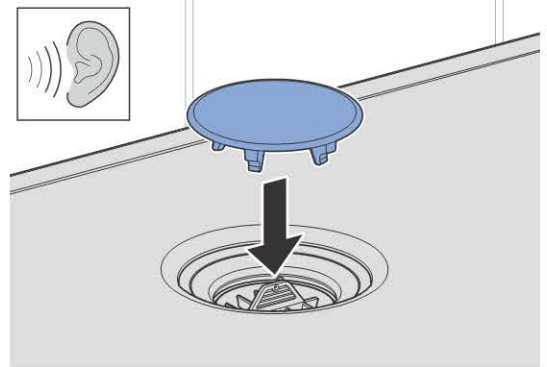
1



2



3





Geberit International AG
Schachenstrasse 77, CH-8645 Jona
documentation@geberit.com
→ **www.geberit.com**