

RainSelect

Thermostatic mixer for concealed installation for 5 outlets

Surfaces: **white/chrome** Art. no. : **15358400**



Description

product features

- Consists of: Thermostatic mixer, shower holder
- depending on volume flow and installation situation approx. 50% flow rate reduction and integrated shut off function
- 5 outlets
- multiple outlets can be run simultaneously
- Select push-button on/off control for 5 outlets
- wall-mounted
- thermostat cartridge, start/ stop cartridge
- Min. operating pressure: 1 bar
- Max. operating pressure: 10 bar
- safety stop at 40°C
- Maximum temperature can be adjusted on installation
- Non-return valve
- Hose nut: for shower hoses with conical or cylindrical nut on both sides
- Noise class: I
- Thermostat is delivered with buttons hand shower, Waterfall, Rain large, Mono, body shower
- if running with a pump, please specify a universal (negative head) pump
- connection type: basic set

Article Details

Price excl. VAT

£ 1,983.33

Technology



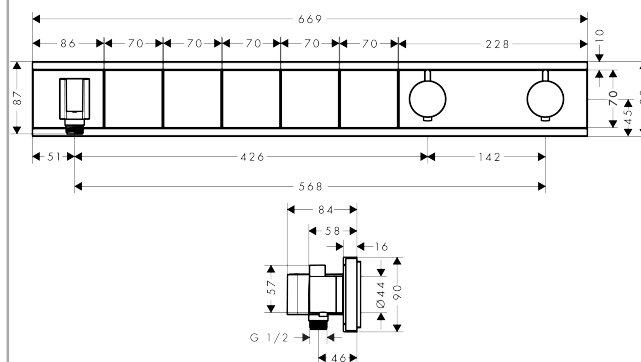
Design awards



Product image



Scale drawing



RainSelect
Thermostatic mixer for concealed installation for 5 outlets
 Surfaces: **white/chrome** Art. no. : **15358400**



Installation examples

RainSelect
 1531318X / 15358XXX

