

## RainSelect

Thermostatic mixer for concealed installation for 5 outlets

Surfaces: **chrome** Art. no. : **15358000**



### Description

#### product features

- Consists of: Thermostatic mixer, shower holder
- depending on volume flow and installation situation approx. 50% flow rate reduction and integrated shut off function
- 5 outlets
- multiple outlets can be run simultaneously
- Select push-button on/off control for 5 outlets
- wall-mounted
- thermostat cartridge, start/ stop cartridge
- Min. operating pressure: 1 bar
- Max. operating pressure: 10 bar
- safety stop at 40°C
- Maximum temperature can be adjusted on installation
- Non-return valve
- Hose nut: for shower hoses with conical or cylindrical nut on both sides
- Noise class: I
- Thermostat is delivered with buttons hand shower, Waterfall, Rain large, Mono, body shower
- if running with a pump, please specify a universal (negative head) pump
- connection type: basic set

### Article Details

Price excl. VAT

£ 1,983.33

### Technology



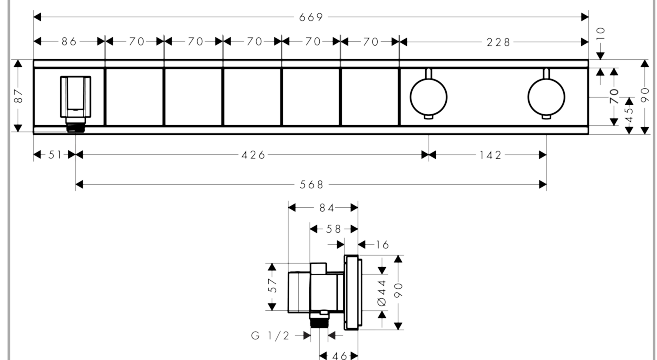
### Design awards



### Product image



### Scale drawing



**RainSelect**  
**Thermostatic mixer for concealed installation for 5 outlets**  
 Surfaces: **chrome** Art. no. : **15358000**



**Installation examples**

**RainSelect**  
 1531318X / 15358XXX

