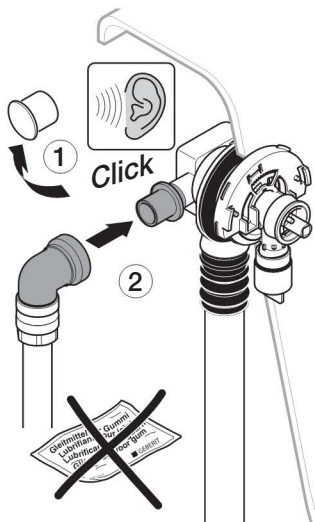
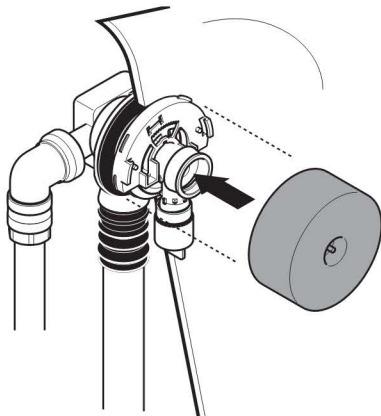


i Swivelling push-fit connection. Not detachable!

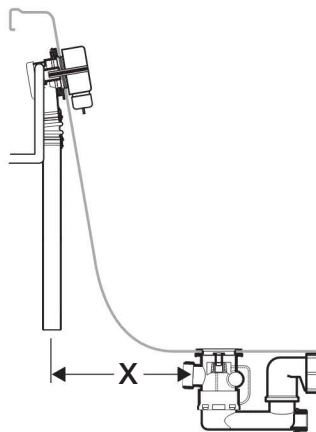
12



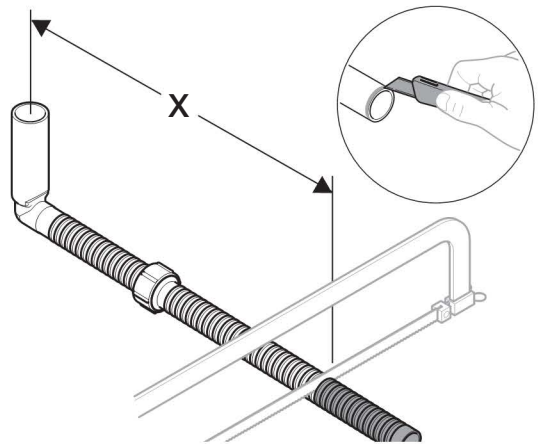
13



14



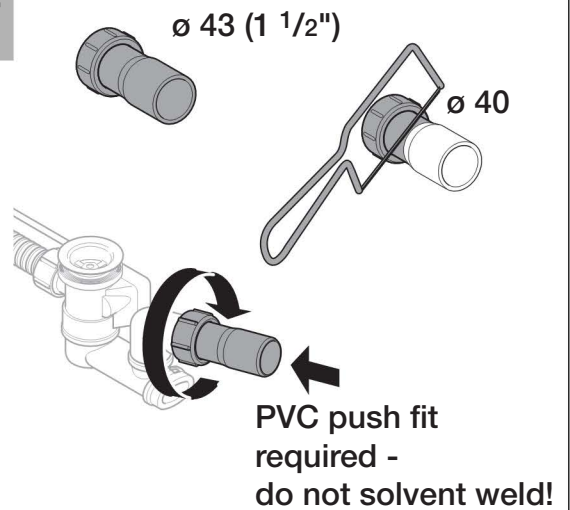
15



16

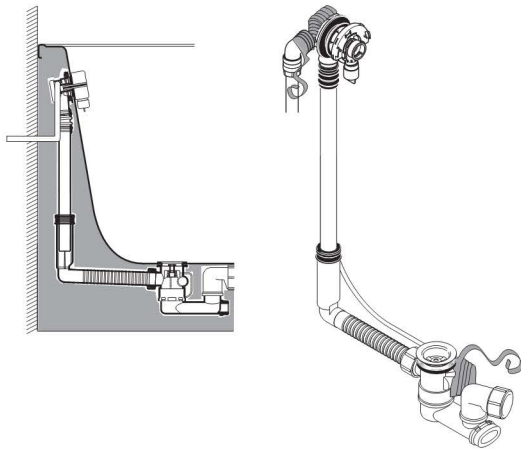


17

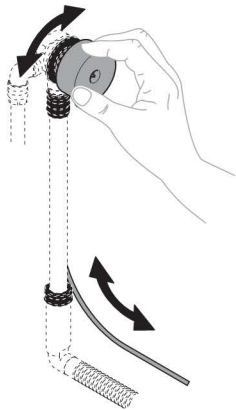




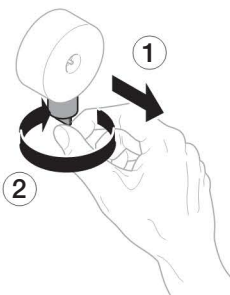
When foaming the cavity, the two mechanism housings need to be sealed with self-adhesive tape.



18



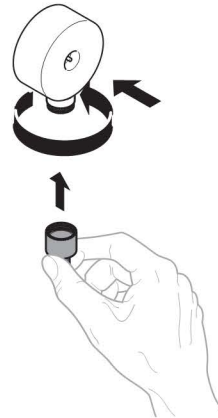
19



20



Pressure test:
Testing pressure: Max. 5.0 bar! Max. 1 hour!



21



