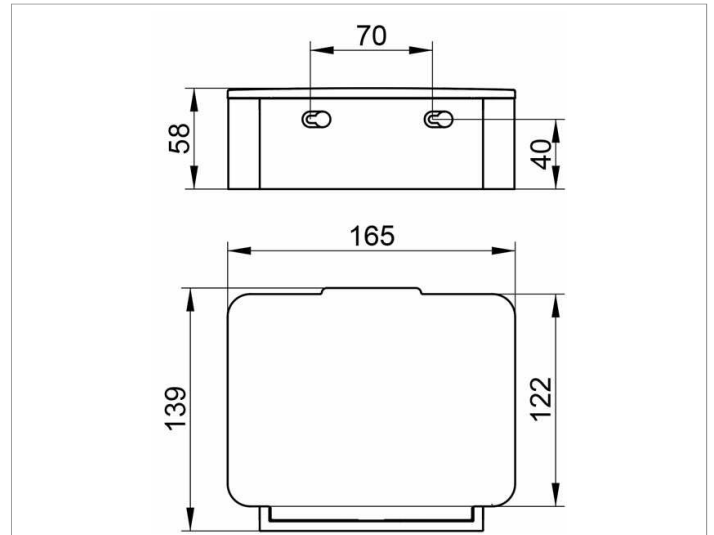


Plan  
14967070001 Moist tissue box

**PRODUCT**



**DRAWING**



**PRODUCT ATTRIBUTES**

with cover and housing made of metal,  
with detachable synthetic insert box (light grey),  
for maximum packing size 145 x 102 x 43 mm

**SURFACE**

stainless steel finish