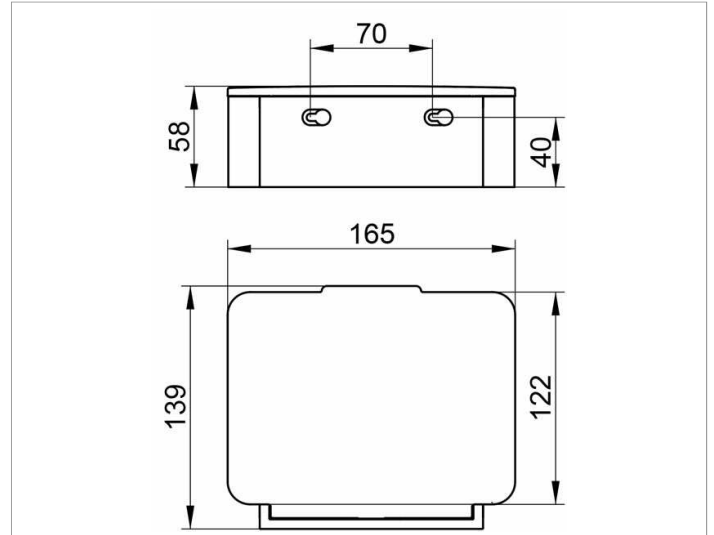


Plan
14967010001 Moist tissue box

PRODUCT



DRAWING



PRODUCT ATTRIBUTES

with cover and housing made of metal,
with detachable synthetic insert box (light grey),
for maximum packing size 145 x 102 x 43 mm

SURFACE

chrome-plated