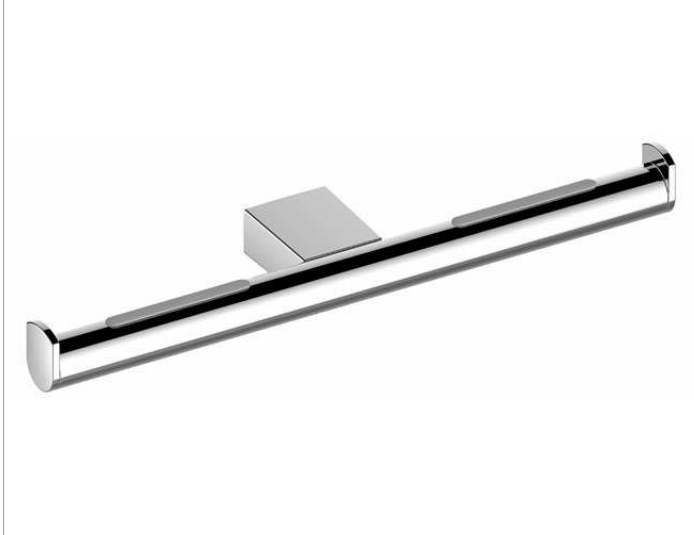
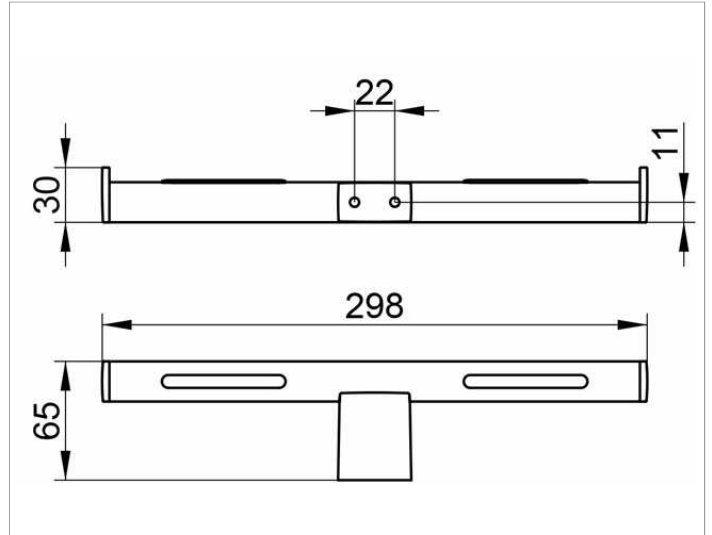


Plan
14963170003 Toilet paper double holder

PRODUCT



DRAWING



PRODUCT ATTRIBUTES

for roll width of 100/120 mm

SURFACE

aluminium silver anodized (E6 EV1)/chrome-plated