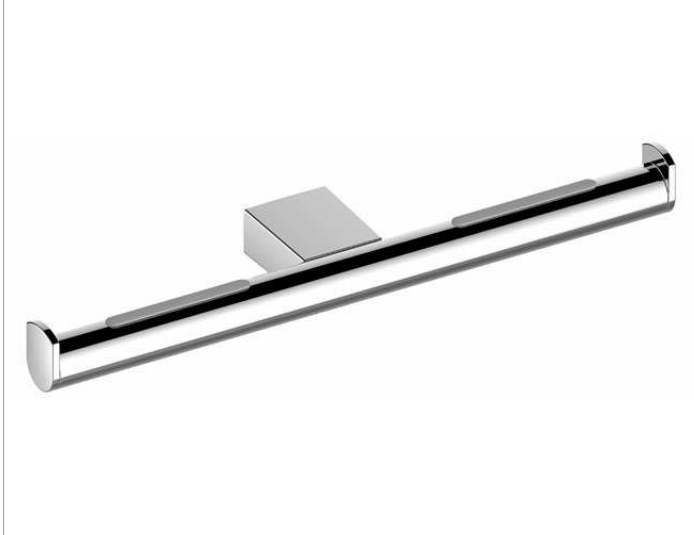
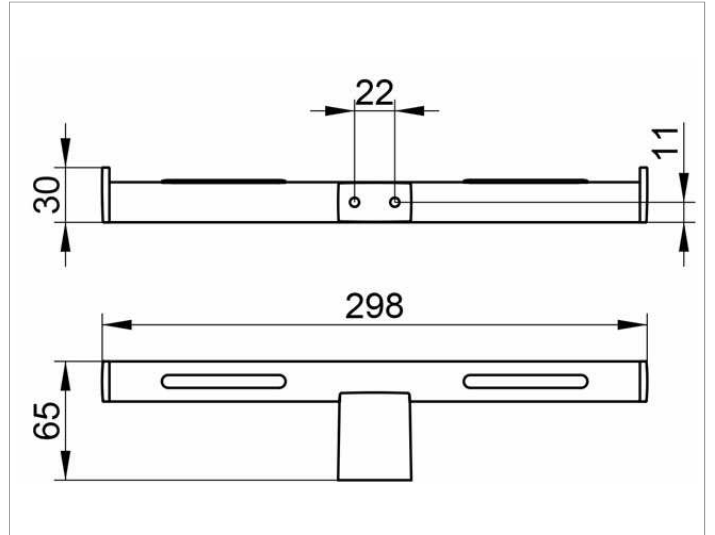


Plan
14963070003 Toilet paper double holder

PRODUCT



DRAWING



PRODUCT ATTRIBUTES

for roll width of 100/120 mm

SURFACE

stainless steel