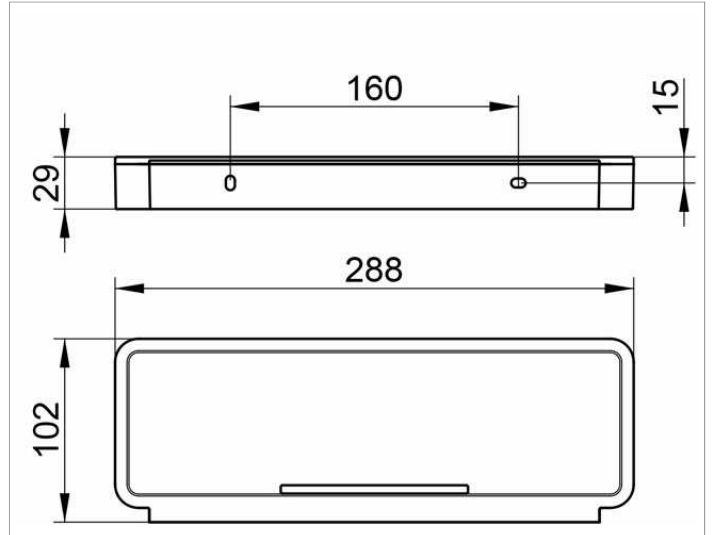


Plan
14958070038 Shower basket

PRODUCT



DRAWING



PRODUCT ATTRIBUTES

two parts: metal bracket and detachable synthetic insert, soap resistant, shutterproof, uv-protected

SURFACE

stainless steel finish/light grey(RAL 7035)