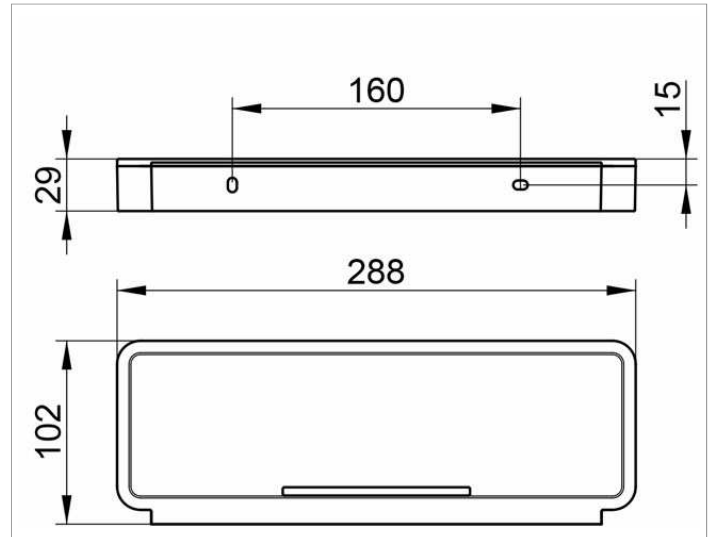


Plan
14958010051 Shower basket

PRODUCT



DRAWING



PRODUCT ATTRIBUTES

two parts: metal bracket and detachable
synthetic insert, soap resistant, shutterproof, uv-protected

SURFACE

chrome-plated/white (RAL 9010)