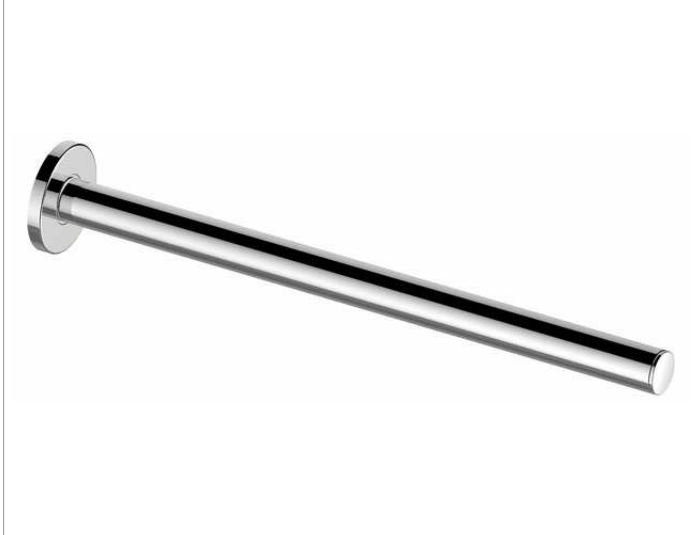
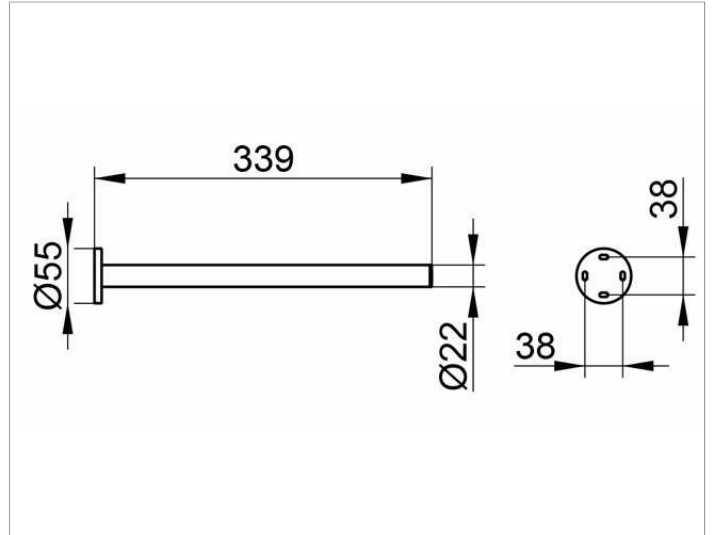


Plan
14923070000 Towel holder

PRODUCT



DRAWING



PRODUCT ATTRIBUTES

fixed

SURFACE

stainless steel

DIMENSION

340 mm