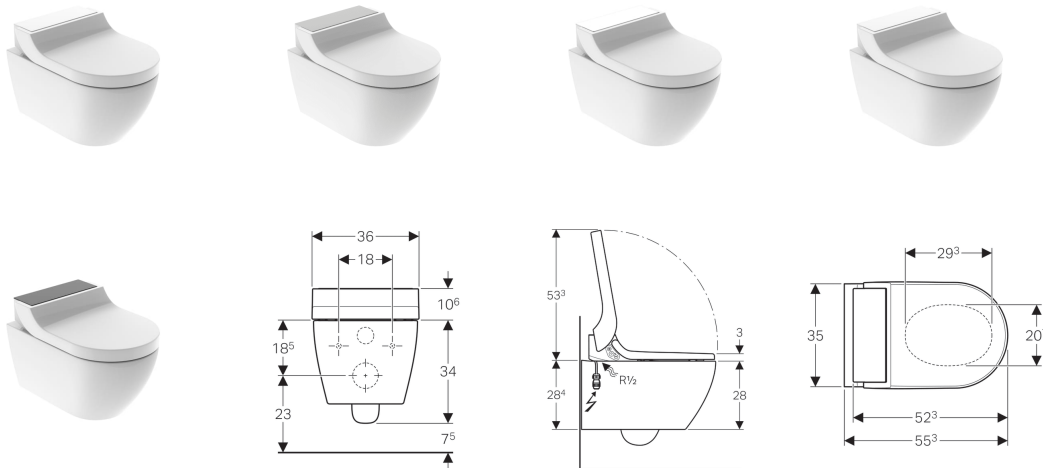


## Geberit AquaClean Tuma Comfort WC complete solution, wall-hung WC



### Application purposes

- For convenient and odourless toilet use
- For gently cleaning the anal and vaginal areas with water

### Characteristics

- Water heating via continuous flow heater
- Anal shower with WhirlSpray shower technology
- Separate Lady shower nozzle in protected park position
- Continuous flow heater can be deactivated
- Spray arm with nozzle can be extended for anal and vaginal area
- Spray intensity can be set to five different levels
- Spray arm can be set to five different positions
- Adjustable oscillating spray (automatic forward and reverse motion of the spray arm)
- Automatic pre- and postrinsing of the spray nozzle with fresh water
- Descaling programme
- Rimless WC ceramic appliance
- Washdown WC with dirt-repellent ceramic surface
- User detection
- Odour extraction with ceramic honey comb filter can be activated
- Odour extraction unit with run-on function
- Dryer can be activated
- WC seat with rapid heating function
- WC seat and WC lid with SoftClosing
- WC lid with SoftOpening
- Functions and settings via remote control
- Four user profiles can be programmed
- Water supply connection on the left, hidden behind the WC ceramic
- Mains connection with flexible three-wire sheathed cable, on the right side, hidden behind the WC ceramic
- Approval in accordance with (DIN) EN 1717 / (DIN) EN 13077
- Compatible with Geberit AquaClean app
- Shower water temperature can be adjusted via Geberit AquaClean App

- Dryer temperature can be adjusted via Geberit AquaClean App
- Temperature of the WC-seat heating can be adjusted via Geberit AquaClean App

### Technical data

Protection class	I
Protection degree	IPX4
Nominal voltage	230 V AC
Mains frequency	50 Hz
Power consumption	2000 W
Power consumption standby	≤ 0.5 W
Flow pressure	0.5–10 bar
Operating temperature	5–40 °C
Water temperature, adjustment range	34–40 °C
Water temperature, factory setting	37 °C
Calculated flow rate	0.02 l/s
Minimum flow pressure for calculated flow rate	0.5 bar
Spray time	50 s
Maximum load WC seat	150 kg

### Scope of delivery

- Water supply connection set for Geberit Sigma concealed cistern 12 cm and Geberit Omega concealed cistern 12 cm, installation height 112 cm
- Female socket for mains connection
- Sound insulation set
- Spray shield
- Compensation pad for WC seat / ceramic appliance
- Ceramic honeycomb filter
- Descaling agent, 125 ml
- Cleaning set
- Connection set for WC, ø 90 mm
- Remote control with wall-mounted case and battery CR2032

- Fastening material

<b>Art. no.</b>	<b>Surface / colour</b>
146.290.11.1	white alpine
146.290.SI.1	glass / white
146.290.SJ.1	glass / black
146.290.FW.1	stainless steel brushed

**Accessories**

- Wall-mounted control panel for Geberit AquaClean
- Geberit AquaClean descaling agent
- Geberit ceramic honeycomb filter type 3



- This product is supplied with the Geberit AquaClean descaling agent and the Geberit AquaClean cleaning agent. These consumables contain classified hazardous substances. Information, instructions and measures for handling hazardous substances safely can be found in the appendix or at [www.geberit.com](http://www.geberit.com).

Created with Geberit online product catalogue - 21/06/2018