

**sBox**  
**Rim and tile mounted bath basic set**  
 Surfaces: n.a. Art. no. : **13560180**



### Description

#### product features

- suitable for rim mounted or tile surround installation
- designed to run 1 function
- Connection thread
- 1/2"
- Connection hose length: 600 mm
- Operating pressure: min. 1 bar/max. 10 bar
- bath rim width at least 100 mm
- Drilling diameter on bath tub or tiled surround: two drilled holes Ø 50/51 mm and connection by sawing out required
- Clamping range: 0 - 30 mm
- WRAS 1907041

### Article Details

Price excl. VAT

£ 47.50

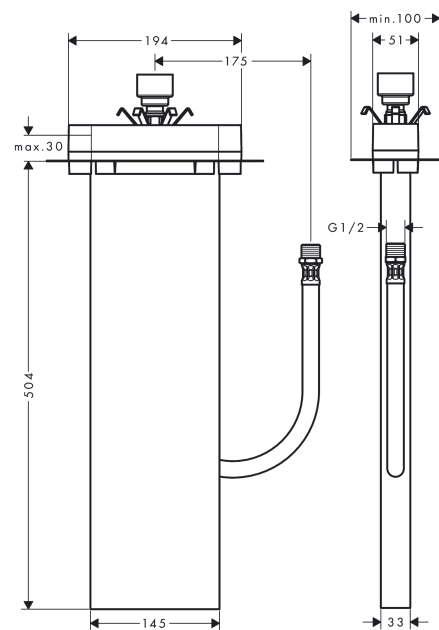
### Certificates



### Product image



### Scale drawing



**sBox**  
**Rim and tile mounted bath basic set**  
Surfaces: n.a. Art. no. : **13560180**



#### Installation examples

