

Ecostat Select
Thermostatic bath mixer for exposed installation
 Surfaces: **chrome** Art. no. : **13141000**



Description

product features

- spout 193 mm long
- designed to run 2 outlets
- exposed design allows easy installation, all working parts are outside of the wall
- Centre distance: 150 mm ± 12 mm
- Flow rate for bath spout (at 3 bar): 20 l/min
- Flow rate of hand shower (at 3 bar): 12 l/min
- thermostat cartridge, ceramic valve 180°
- Min. operating pressure: 1 bar
- Max. operating pressure: 10 bar
- safety stop at 40°C
- Maximum temperature can be adjusted on installation
- with isolated water conduction
- Intrinsically safe against backflow
- with silencer
- Material handles: metal
- made of safety glass
- in case of installation on existing G 3/4 connections, adaptor no. 02026000 must be used
- surface of the shelf at colour variant -000 = mirror glass, at colour variant -400 = white glass
- dirt filter included
- cannot be connected with a standard fixing plate
- WRAS 1807026
- WRAS 1807026

Article Details

Price excl. VAT

£ 466.67

Technology



Certificates

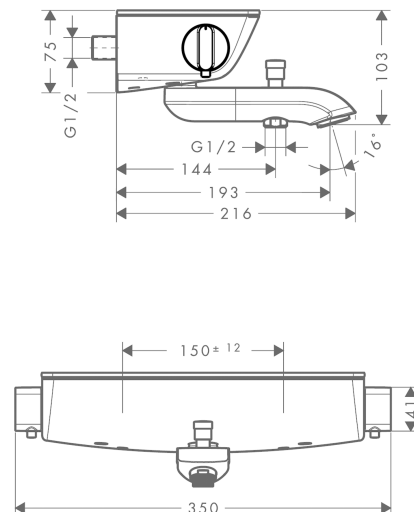


kiwa

Product image



Scale drawing



Ecostat Select
Thermostatic bath mixer for exposed installation
 Surfaces: **chrome** Art. no. : **13141000**



Flowchart

