

Talis S
Pillar tap 40 for cold water without waste
 Surfaces: **chrome** Art. no. : **13132000**



Description

product features

- ComfortZone 40 provides space for greater freedom of movement
- free-standing installation
- spout 83 mm long
- normal spray
- Flow rate (at 3 bar): 5 l/min
- Min. operating pressure: 1 bar
- Max. operating pressure: 10 bar
- ceramic valves 90°
- For cold water connection
- QuickClean technology for easy limescale removal
- please specify when ordering if required for low pressure
- WRAS 1812062
- WRAS 1812062
- WRAS 1812062

Article Details

Price excl. VAT

£ 153.33

Technology



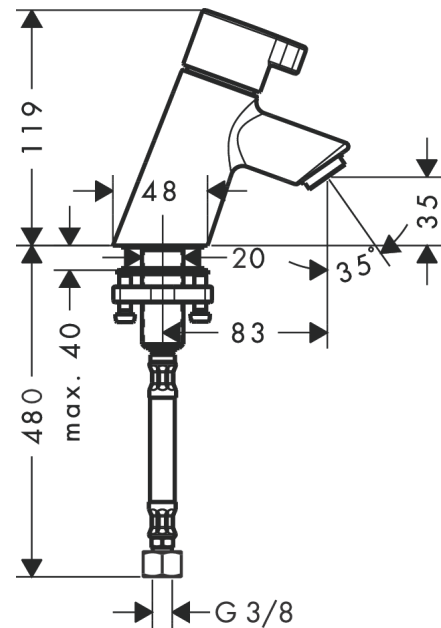
Certificates



Product image



Scale drawing



Talis S
Pillar tap 40 for cold water without waste
 Surfaces: **chrome** Art. no. : **13132000**



Flowchart

