

**Ecostat Select**  
**Thermostatic shower mixer for exposed installation - Renovation**  
 Surfaces: **chrome** Art. no. : **13111000**



## Description

### product features

- designed to run 1 function
- exposed design allows easy installation, all working parts are outside of the wall
- Centre distance: 150 mm ± 12 mm
- Ecostop button limits the water consumption to 10 l/min
- flow rate hand shower connection 12 l/min at 3 bar
- thermostat cartridge, ceramic valve 180°
- Min. operating pressure: 1 bar
- Max. operating pressure: 10 bar
- safety stop at 40°C
- Maximum temperature can be adjusted on installation
- with isolated water conduction
- Non-return valve
- Material handles: metal
- made of safety glass
- surface of the shelf at colour variant -000 = mirror glass, at colour variant -400 = white glass
- for installation on existing G ½ connections
- Noise class: I
- dirt filter included
- cannot be connected with a standard fixing plate

## Article Details

Price excl. VAT

£ 345.83

## Technology



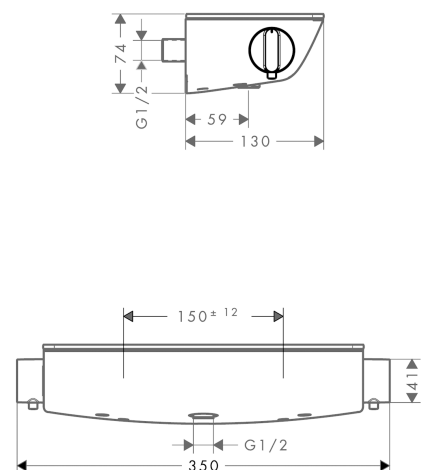
## Certificates

# kiwa

## Product image



## Scale drawing



**Ecostat Select**  
**Thermostatic shower mixer for exposed installation - Renovation**  
 Surfaces: **chrome**    Art. no. : **13111000**



### Flowchart

